



Body Wiring Manual



Aeromaster on Workhorse Chassis

Read First: Top Tips on Using This Online Manual

Browse pages with Bookmarks (hyperlinks) or Thumbnails

Bookmarks, at the left of the screen, are hyperlinks to document pages. From any page in this document, you can use bookmarks to jump to any section heading.

To jump to a topic by using its bookmark, point to the bookmark name, and when the arrow becomes a pointing hand, click on the name. If a triangle (or + sign) appears to the left of the bookmark, click the triangle (or + sign) to show or hide subordinate bookmarks.



Thumbnails are visual icons of the actual pages. After selecting the thumbnail view button (Acrobat Reader ver. 3.0) or tab (ver. 4.0), you can quickly browse for parts sections just by the “look” of the page. Click on the appropriate thumbnail to view that page.



Use the Zoom and Fit tools for magnification of page sections

Select the Zoom tool. (In ver. 4.0, when the Hand tool is selected, you can temporarily change to the Zoom tool by holding down the Ctrl key and the space bar at the same time.) Click and drag to draw a rectangle around the area you want to magnify.



To return to an overview, you can click on one of the following buttons:

- The Fit Page button scales the *entire* page to display within the main window.
- The Fit Width button scales the page *width* to display within the main window.



Use the Text tool for copying selected text into other applications

You can select text in a PDF document, copy it to the Clipboard, and paste it into another application. **By pasting parts descriptions and numbers into your email, you can order parts much faster than through phoning or faxing.** To select text and copy it to the Clipboard:

1. Click the Text Selection tool.
2. Click and drag over the text you want to select. When you release the mouse button, the selected text stays highlighted.
3. Hold down the Ctrl key and press C on the keyboard to copy the selected text to the Clipboard.



Find parts or procedures with the Find tool

Use the Find tool to search for a fragment of a word, a complete word, or multiple words in the active document. To **find** a word (e.g., a part name):

1. Click the Find tool.
2. In the Find What text box, enter the text to be found and click Find. When the program finds the text, the Find dialog box closes and the page containing the text is displayed with the text highlighted.
3. To find the **next occurrence** of the word, press F3, press Ctrl + G, or reopen the Find dialog box and click Find Again.



Revision Control

Revision

Rev. B

Rev. A

Print Date

July 2012

April 2003

Important Notices

© 2012, Utilimaster.®

Printed in U.S.A.

Title: Aeromaster on Workhorse Chassis—Body Wiring Manual

Utilimaster Corporation attempts to provide information that is accurate, complete, and useful. All information contained in this manual is based on the latest product information available at the time of publication. However, because of the Utilimaster policy of continual product improvement, Utilimaster reserves the right to amend the information in this document at any time without prior notice.

This material is confidential and the property of Utilimaster. It is shared with your company for the sole purpose of helping you with the operation of the described equipment.

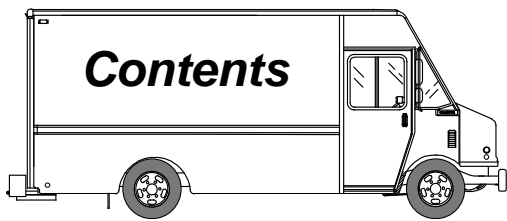
Utilimaster makes no warranty of any kind with regard to this material, including, but not limited to, the implied warranties of merchantability and fitness for a particular purpose. Utilimaster shall not be liable for errors contained herein or for incidental or consequential damages in connection with the furnishing, performance, or use of this material.

Utilimaster expressly disclaims all responsibility and liability for the installation, use, performance, maintenance, and support of third-party products. Customers are advised to make their independent evaluation of such products.

No part of this document may be photocopied, reproduced, or translated to another language without the prior written consent of Utilimaster.

Utilimaster® and Aeromaster® are registered trademarks of Utilimaster Corporation. All other trademarks are products of their respective companies.

Browse the web site www.utilimaster.com for more information about Utilimaster and its products.



<i>Introduction</i>	6
<i>Finding Information</i>	7
<i>VIN Number</i>	7
<i>Body Serial Number</i>	7
<i>Safety Considerations</i>	8
<i>General Warnings</i>	8
<i>Disconnecting the Battery</i>	9
<i>Reporting Safety Defects (U.S. Only)</i>	9
<i>More Information</i>	10
<i>Utilimaster Quick Reference Parts Guide</i>	10
<i>Utilimaster Body on Workhorse Chassis Parts Manual</i>	10
<i>Utilimaster Glossary of Terms</i>	10
<i>Utilimaster Body Service Manual</i>	10
<i>Download Files</i>	10
<i>Contact Utilimaster</i>	10
<i>Wiring Diagrams</i>	11
1— <i>Wire Color Code and Symbol Key</i>	11
2— <i>Connectors</i>	12
<i>Cummins ISB4 Diesel Only</i>	12
<i>Standard</i>	13
3— <i>Harness Layout (Connector Locations)</i>	18
4— <i>Power Distribution</i>	19
5— <i>Grounding System</i>	20
6— <i>Switches</i>	21
7— <i>Cargo Lamps</i>	22
<i>Standard</i>	22
<i>Switch on Dash</i>	23
<i>Three-Way Switch</i>	24
8— <i>Wiper System</i>	25
<i>Standard and Cummins ISB4 Intermittent</i>	25
<i>Intermittent Option (Non-Cummins ISB4)</i>	26

9—Heater Only System	27
Cable Controls	27
Electronic Controls.....	28
9—HVAC System.....	29
Cable Controls	29
Electronic Controls.....	30
10—Chassis Supplied A/C Prep	31
11—Front Light Wiring	32
With Cummins ISB4 Diesel Engines.....	32
Without Daytime Running Lights	33
Daytime Running Lights (Domestic)	34
Daytime Running Lights (Canadian).....	35
12—Rear Light Wiring.....	36
Standard	36
Routed through Interior.....	37
Split Taillights.....	38
Split Taillights Routed through Interior.....	39
13—Roof Wiring.....	40
14—Clearance Lights.....	41
15—Panel Lights (HVAC Control Panel).....	42
16—Stereo System.....	43
17—Door Ajar System	44
18—Supplemental High Mount Stop Lamp (SHMSL).....	45
19—Accessory Outlet (Cigarette Lighter)	46
20—Cab Dome Light.....	47
21—Dash Fan.....	48
22—Power Vent	49
23—Heated Mirrors.....	50
24—Auxiliary Heater	51
25—Spotlight or Strobe Light.....	52
Index.....	53

Introduction

This manual illustrates electrical wiring diagrams for Aeromaster® walk-in bodies on the P-3 Series Workhorse “strip” chassis (Model Years 1999 and later) and the P-3 Series Chevrolet and GMC “strip” chassis (Model Years built from 1996 through 1998). Whether your truck is based on GMC, Chevrolet, or Workhorse chassis, the majority of information is interchangeable by design and are all referred to as the Model 33.



Some configurations, however, depend on the chassis engine option. The four-cylinder Cummins diesel with **electronic** fuel injection (ISB4) engine has the most unique wiring variations, which is noted throughout this manual. The four-cylinder Cummins diesel with **manual** fuel injection (4BT) engine is not specified because it uses the standard wiring configurations. The eighth digit in the VIN Number identifies the engine code (**P** for the ISB4 or **L** for the 4BT) but typically the ISB4 engine block is painted black while the 4BT is tan in color. (See also the chart below and the VIN Number section on the next page.)

Workhorse Vehicle Identification Number (VIN) Codes			
Code Position	Definition	Character	Description
8 (of 17)	Engine	R	5.7 V8
		W	4.3 V8
		Y	6.5 V8 Diesel Naturally Aspirated
		F	6.5 V8 Diesel Turbo
		L	4.9 4BT Diesel Manual
		P	4.9 ISB4 Diesel Electronic

This manual covers only those components manufactured by or installed by Utilimaster® Corporation. Items such as chassis and drive train components or certain interior options are covered by separate manufacturer-supplied information. Not all options are included in this manual and some part numbers have changed from previous model years.

If your vehicle is equipped with a VACS system, supplementary information is in *Vehicle Access Controls System for Utilimaster Walk-In Vans Operation and Service Manual* (P/N 03102103). To order that manual, call 800-237-7806 or email CustSvc@Utilimaster.com.

All information, specifications, and illustrations contained in this manual are based on the latest product information available at the time of publication. However, because of the Utilimaster policy of continual product improvement, Utilimaster reserves the right to amend the information in this document at any time without prior notice.

Finding Information

The Contents lists *sections* (and their respective *pages*) containing wiring diagrams and other information. The Index lists *pages* on which the indexed topics can be found.

Sheet numbers indicated by last two digits in the drawing number (lower right-hand corner of the drawing when viewed at the normal viewing angle) refer to the engineering drawing page numbers but are *not* in numerical order. These numbers are *not* meant to match the manual section or page numbers.

NOTE: If you are using the Adobe Acrobat version of this document printing out pages for detailed study is recommended because of the 90° rotation of the diagrams. Printing individual pages or a range of pages from the Acrobat Reader is easily accomplished by selecting File, Print, and then the desired print range.

VIN Number

The chassis 17-digit **Vehicle Identification Number (VIN)** is the legal identifier for this vehicle and is the number recorded in the license plate registration. The VIN appears on a small metal plate in the front corner of the dash on the driver's side, and you can read the VIN by looking through the windshield. The VIN is also recorded on the Federal Certification Label.

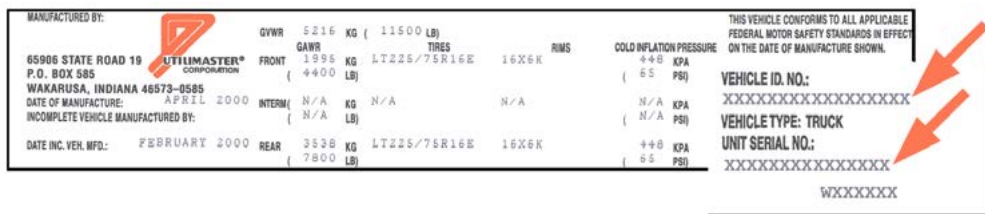


VIN Tag

Body Serial Number

The 15-digit **Utilimaster Body (or Unit) Serial Number** is recorded on the Federal Certification Label. This label is a plastic decal (about 11” long and 2” high) that contains a variety of manufacturing information (including the VIN). This label is near the top of the door frame between the driver's side window and the quarter-panel window.

You will need the VIN or the Body/Unit Serial Number to order parts and make warranty claims.



Federal Certification Label

Safety Considerations

General Warnings

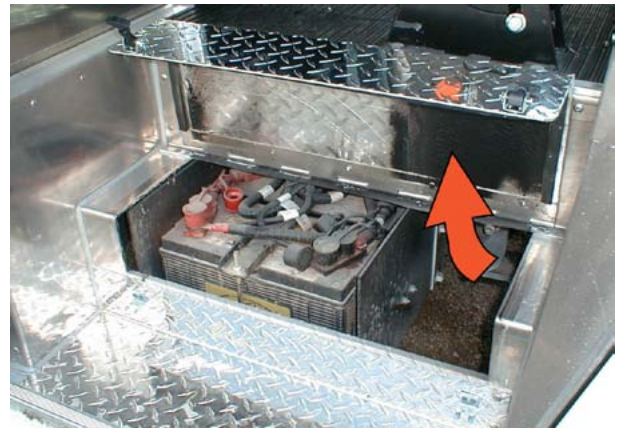
The following list contains some general WARNINGS that you should follow when you work on a vehicle.

- Be sure that the ignition switch is always in the OFF position, unless otherwise required by the procedure. For circuits that are not controlled by the ignition switch (e.g., lights), disconnect the negative terminal on the battery. (See instructions on the next page.)
- Even though the ignition is in the OFF position, an electric radiator fan can start to operate at any time by an increase in under-hood temperatures. Make sure the radiator fan is completely disconnected when working under the hood.
- Always wear safety glasses for eye protection.
- Use safety stands whenever a procedure requires you to be under the vehicle.
- Set the parking brake when working on the vehicle and if the vehicle has an automatic transmission, put the transmission in PARK.
- Operate the engine only in a well-ventilated area to avoid the danger of carbon monoxide.
- Keep yourself and your clothing away from moving parts when the engine is running, especially the fan and belts.
- To prevent serious burns, avoid contact with hot metal parts such as the radiator, exhaust manifold, tail pipe, catalytic converter, and muffler.
- Do not smoke while working on the vehicle.
- To avoid injury, always remove rings, watches, loose hanging jewelry, and loose clothing before beginning to work on a vehicle. Tie long hair securely behind your head.
- Avoid breathing A/C refrigerant and lubricant vapor or mist. Exposure may irritate eyes, nose, and throat. To remove R-134a from the A/C system use service equipment certified to meet the requirements of SAE J2210 (R-134a recycling equipment). IF accidental system discharge occurs, ventilate work area BEFORE resuming service. Additional health and safety information may be obtained from refrigerant and lubricant manufacturers.

Disconnecting the Battery

The battery is located underneath a step in the right-hand stepwell.

1. Make sure the ignition switch is “Off.”
2. Unhook or unscrew the latches and flip up the battery panel (or remove the access cover) on the right-hand stepwell.
3. Disconnect the battery negative (black) cable.



Reporting Safety Defects (U.S. Only)

If you believe that your vehicle has a defect that could cause a crash, injury, or death, you should immediately inform the National Highway Traffic Safety Administration (NHTSA), in addition to notifying Utilimaster.

If NHTSA receives similar complaints, it may open an investigation, and if it finds that a safety defect exists in a group of vehicles, it may order a recall and remedy campaign. However, NHTSA cannot become involved in individual problems between you, your dealer, or Utilimaster.

To contact NHTSA, you may either call the Auto Safety Hotline toll-free at **888-327-4236** or file a complaint online at:

<http://www-odi.nhtsa.dot.gov/ivoq>

or write to:

**U.S. Department of Transportation
National Highway Traffic Safety Administration
Office of Defects Investigation
NVS-216, 1200 New Jersey Avenue, SE
Washington, DC 20590**

More Information

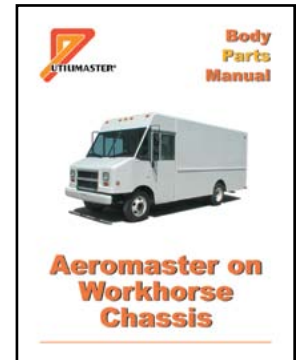
Utilimaster Quick Reference Parts Guide

Easily find commonly replaced parts for most Utilimaster vehicles in the *Utilimaster Quick Reference Parts Guide*. This illustrated document includes part numbers for bumpers, door hardware, electrical components, window glass, heater, air conditioner, hood, mirrors, sun visors, vents, mud flaps, roll-up door parts, seats, wiper, and many other parts. It also includes sealants, window replacement, and other repair kits.



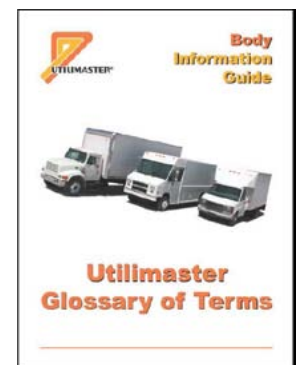
Utilimaster Body on Workhorse Chassis Parts Manual

Find parts specific to Utilimaster bodies mounted on GM, GMC, Chevy, or Workhorse chassis in the *Aeromaster on Workhorse Chassis—Body Parts Manual*.



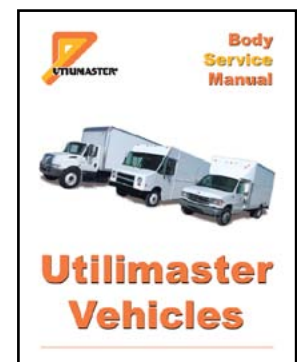
Utilimaster Glossary of Terms

If you are not familiar with some of the terminology used in this manual, you can find many Utilimaster and industry associated terms and definitions in the *Utilimaster Glossary of Terms—Body Information Guide*.



Utilimaster Body Service Manual

Read about routine maintenance procedures, troubleshooting, proper adjustment methods, vehicle repair, aftermarket upgrades, and much more in the *Utilimaster Vehicles—Body Service Manual*.



Download Files

Many support documents are downloadable (as Adobe® Acrobat® PDF files) from our web site at www.utilimaster.com. Click on the Technical Manuals button, to access the download page. To view the files you must have the Adobe Acrobat Reader version 3.0 or higher installed on your computer. Acrobat readers are available free for all leading computer operating systems on the Adobe web site (www.adobe.com).

Contact Utilimaster

Browse our site for more information about Utilimaster and its products or contact Utilimaster Customer Service by using one of the following methods:

- Call 800-237-7806
- Email to CustSvc@Utilimaster.com.
- Mail to the following address:

Utilimaster

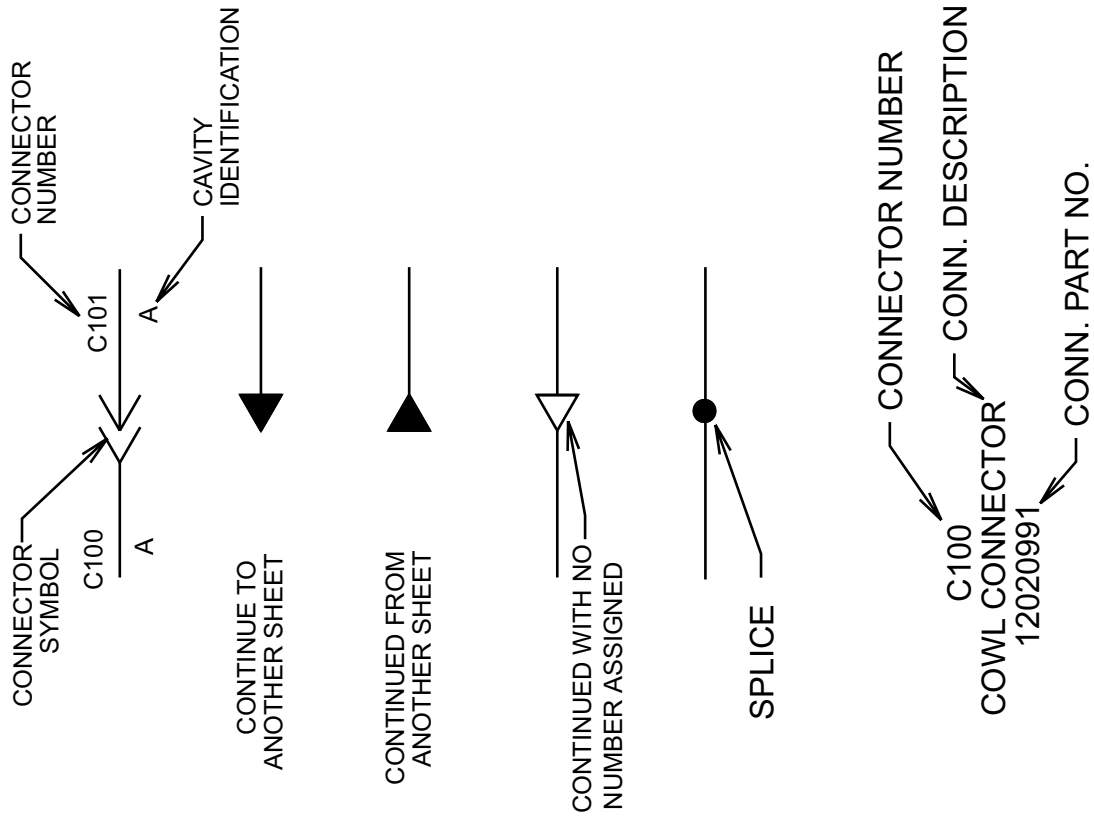
Attn: Customer Service Department

603 Earthway Blvd.

Bristol, IN 46507-9182.

Wiring Diagrams

1—Wire Color Code and Symbol Key



GROUNDED TO BODY



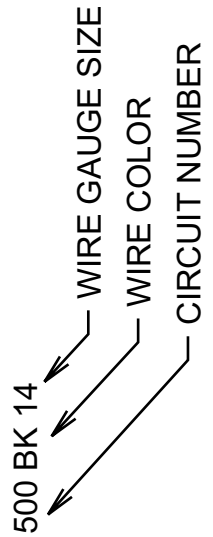
WIRE COLOR CODE:

- BK - BLACK
- BR - BROWN
- DB - DARK BLUE
- DG - DARK GREEN
- GY - GRAY
- LB - LIGHT BLUE
- LG - LIGHT GREEN
- OR - ORANGE
- PK - PINK
- RD - RED
- YL - YELLOW
- VT - VIOLET
- WT - WHITE

WIRE GAUGE CHART:

- 18 - 18GA
- 16 - 16GA
- 14 - 14GA
- 12 - 12GA

- 120 OR - WIPER POWER
- 510 BK/WT - GROUND
- 820 DG 16 - LOW SPEED
- 830 RD 16 - HIGH SPEED
- 840 GY 16 - PARK
- 890 VT 18 - WASHER PUMP



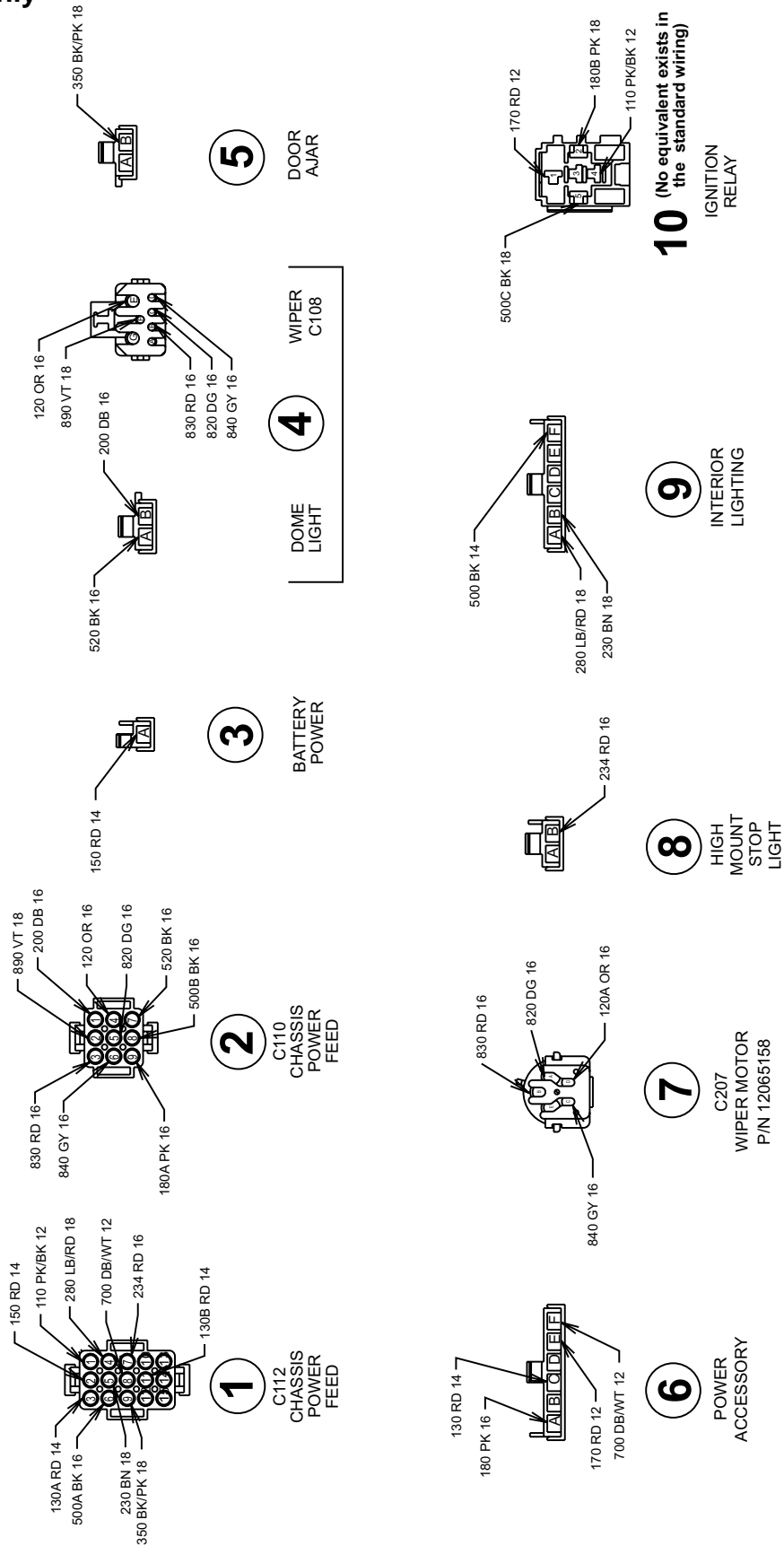
NOTES:

- 1) All connectors are shown in the **load (wire lead insertion)** position.
- 2) Special customer options may not be covered by these diagrams.
- 3) **WIRE COLORS ON SOME OPTIONAL EQUIPMENT MAY VARY FROM THIS DOCUMENT.**

2—Connectors

Cummins ISB4 Diesel Only

NOTE: These connectors are specific to vehicles with the Cummins ISB4 diesel engine. These replace the standard connectors on the following pages (see large circled numbers). For vehicles without the ISB4 engine, see only the following pages. To identify the engine of a vehicle, see page 6.



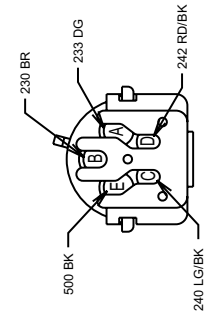
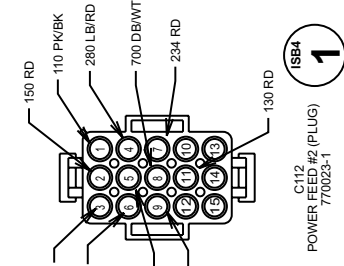
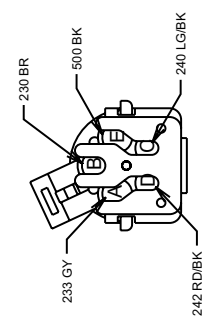
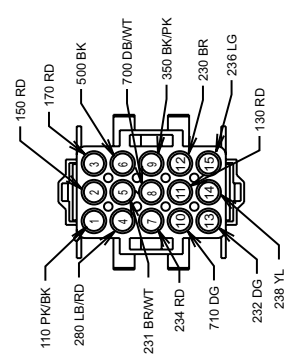
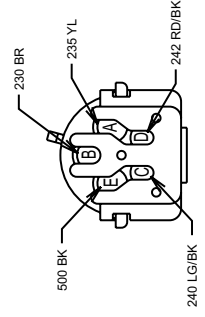
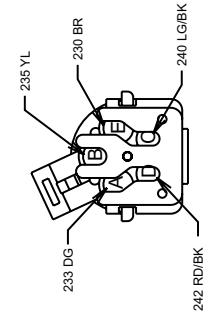
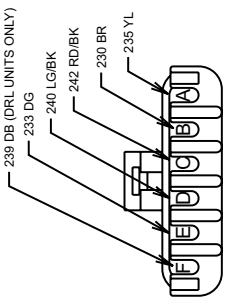
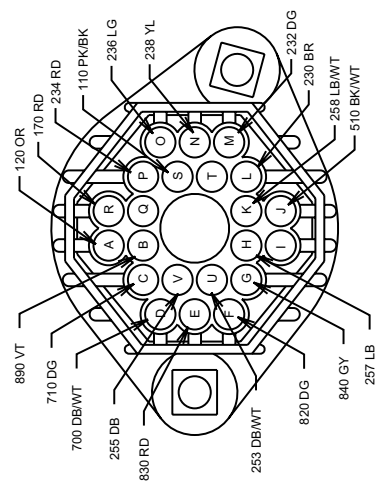
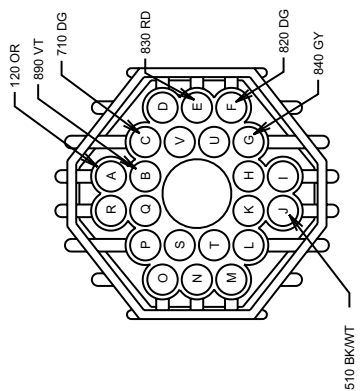
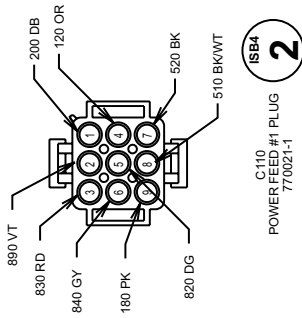
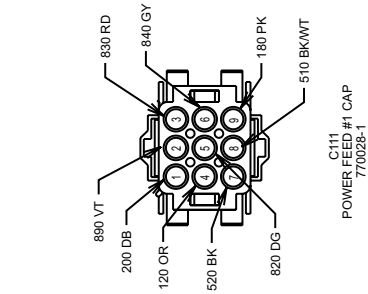
NOTE: If the eighth digit in the VIN number is "P", the vehicle has the Cummins ISB4 diesel engine. These connectors replace those of the equivalent standard connectors.

ISB4 Connectors - Diagram 165 13321b Sheet 2

2—Connectors

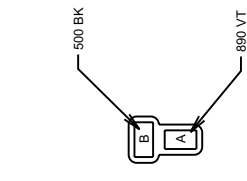
Standard

NOTE: These connectors are standard to all vehicles except those with the Cummins ISB4 diesel engine. For the connectors on the following pages that are marked with a large circled number, see the replacement on page 12. For vehicles without the ISB4 engine, ignore page 12. To identify the engine of a vehicle, see page 6.

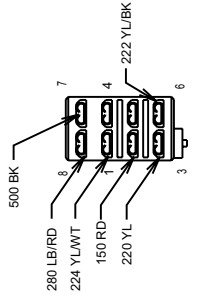


2—Connectors

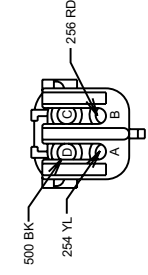
Standard (continued)



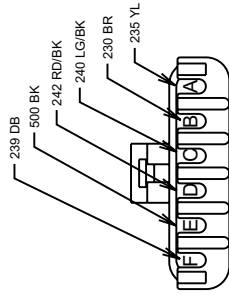
C206
WASHER PUMP
480115-1



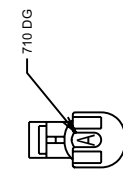
C301
AUXILIARY SW (BATTERY)
999-16716.001



C340
AUX. HTR (SCS)
12015024

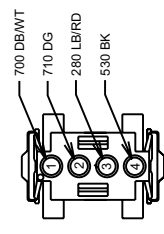


C205
LEFT HEADLAMP DIST
12015799
UNITS W/ DAYTIME RUNNING LIGHTS

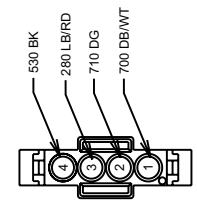


C209
A/C JUMPER
12015791

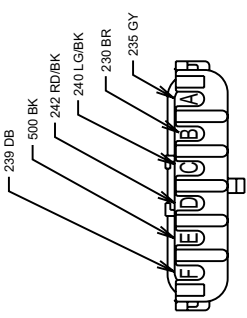
C210
DRL (DAYTIME RUNNING)
12015792



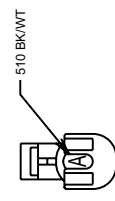
C331
HVAC CONN. (SCS)
770209-1



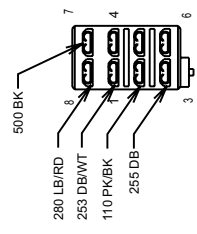
C330
HVAC CONN.
770019-1



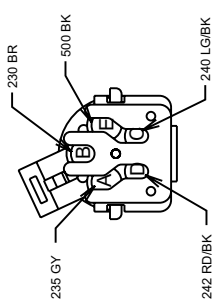
C204
LEFT HEADLAMP FEED
12010875
UNITS W/ DAYTIME RUNNING LIGHTS



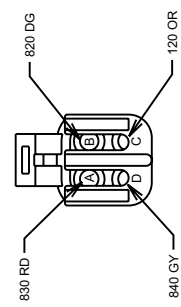
C208
WIPER MOTOR (STD)
12015791



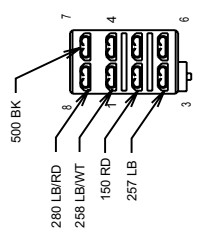
C304
AUXILIARY SW (IGNITION)
999-16716.001



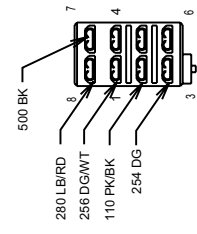
C205
LT HEADLAMP DIST
12034342
UNITS W/O DAYTIME RUNNING LIGHTS



C207
WIPER MOTOR (STD)
12015798



C303
AUXILIARY SW (BATTERY)
999-16716.001

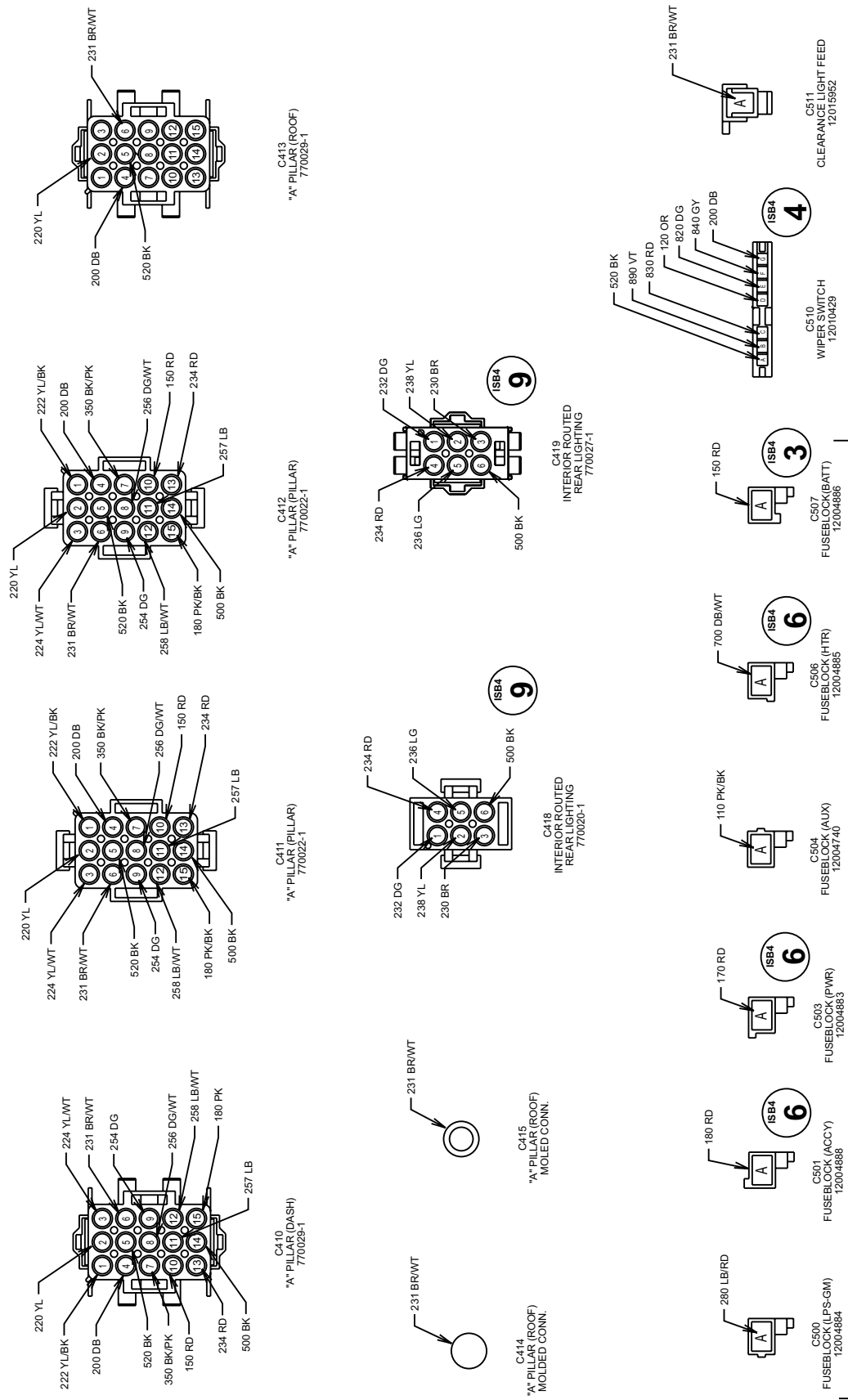


C302
AUXILIARY SW (IGNITION)
999-16716.001



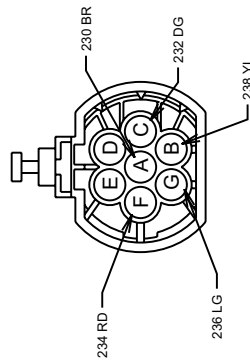
2—Connectors

Standard (continued)

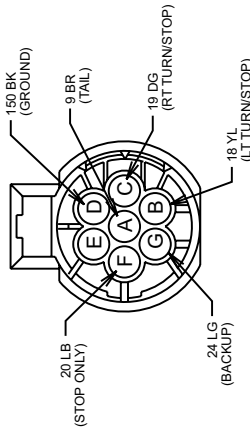


2—Connectors

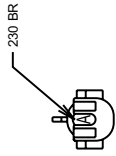
Standard (continued)



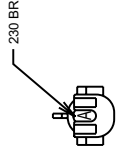
C610
REAR LAMP DIST
12110751



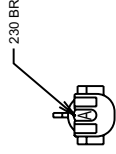
C611
GM REAR LAMP FEED
12110753



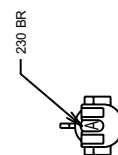
C620
LICENSE PLATE LAMP
12010986



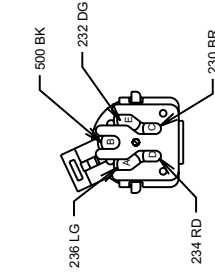
C621
LICENSE PLATE LAMP
12010986



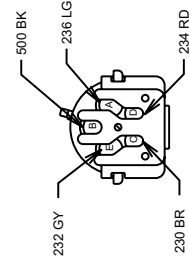
C622
LICENSE PLATE LAMP
12010986



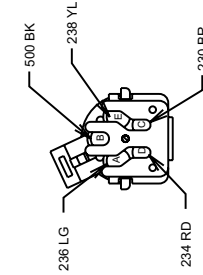
C623
LICENSE PLATE LAMP
12010986



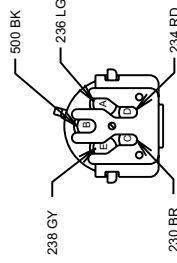
C631
RT REAR LAMP FEED
12034342



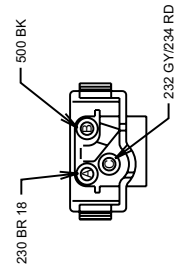
C632
RT REAR LAMP DIST
12065158



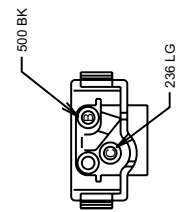
C633
LT REAR LAMP FEED
12034342



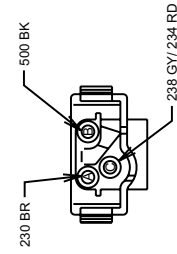
C634
LT REAR LAMP DIST
12065158



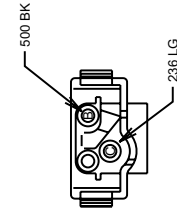
C635
RT STOP/TURN/TAI
MOLDED CONN.



C636
RT BACK-UP LAMP
MOLDED CONN.

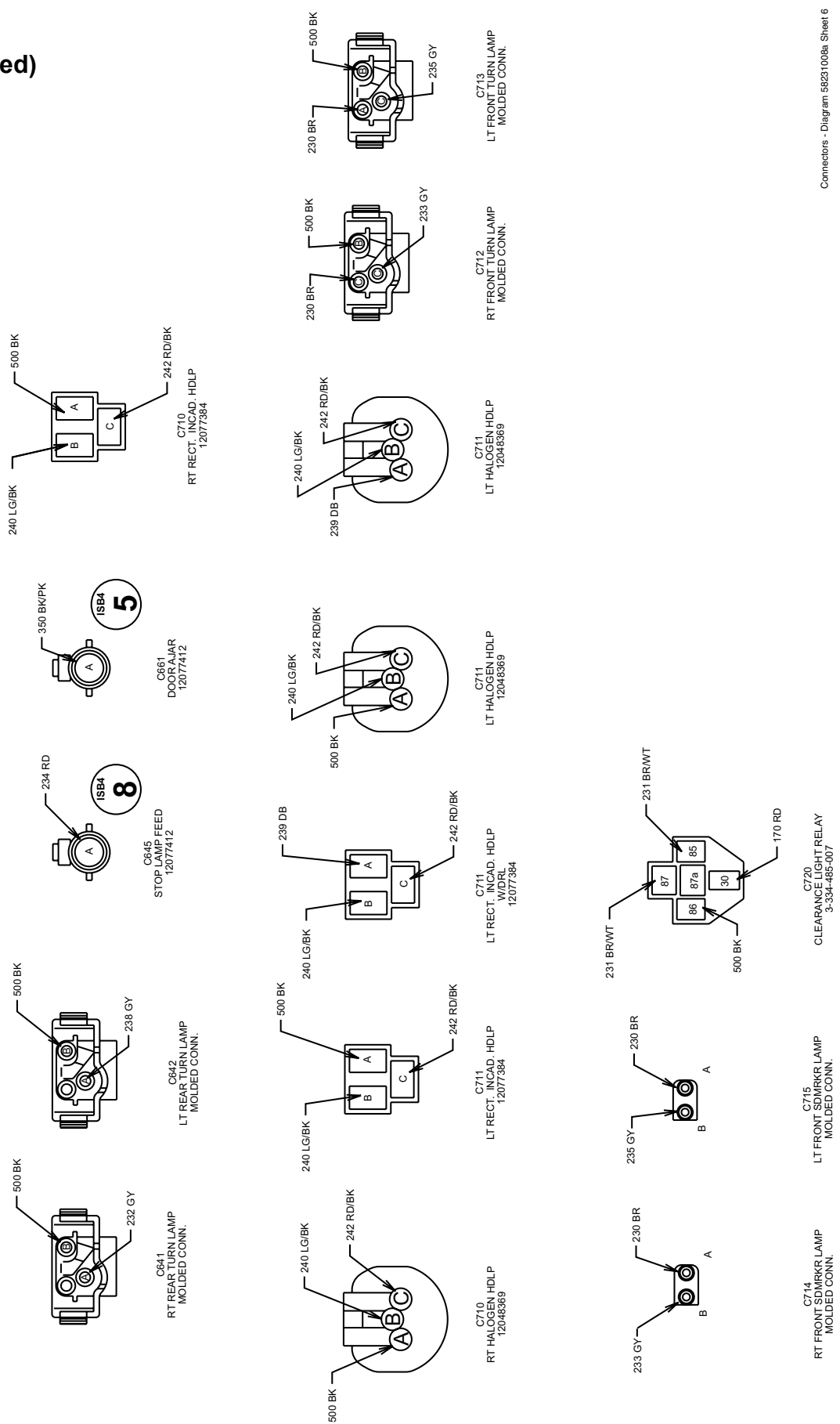


C637
LT STOP/TURN/TAI
MOLDED CONN.

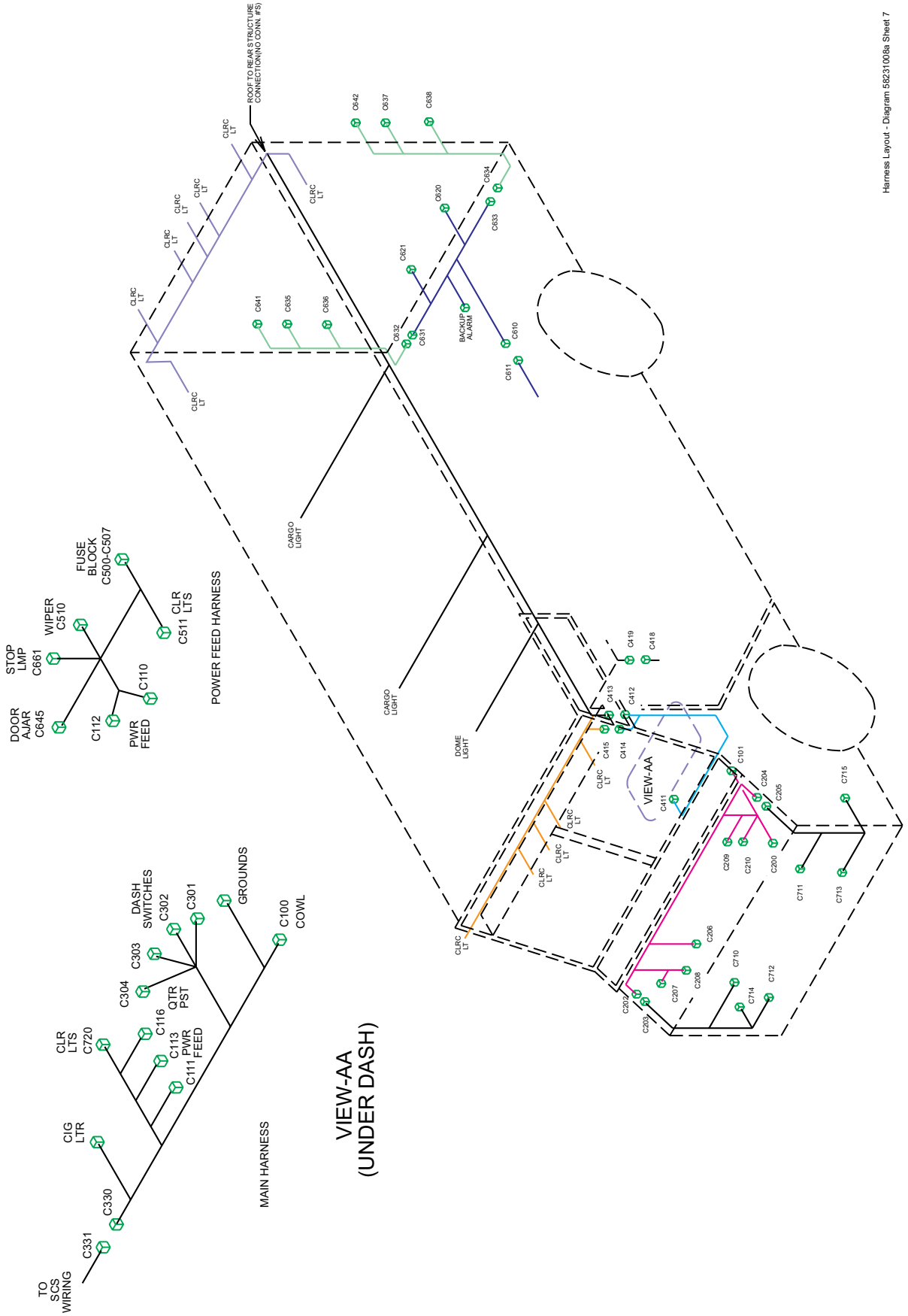


C638
LT BACK-UP LAMP
MOLDED CONN.

2—Connectors Standard (continued)

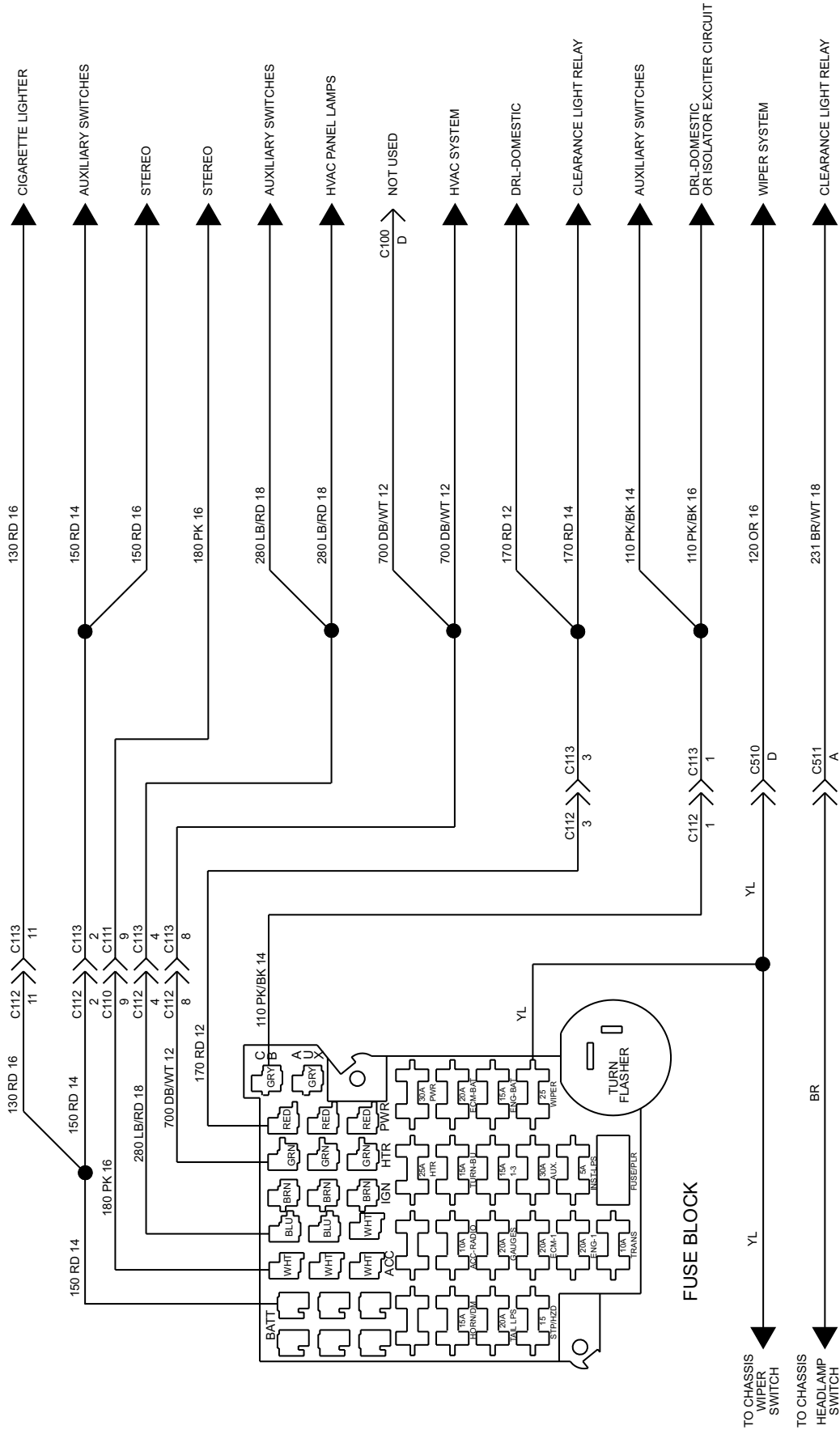


3—Harness Layout (Connector Locations)



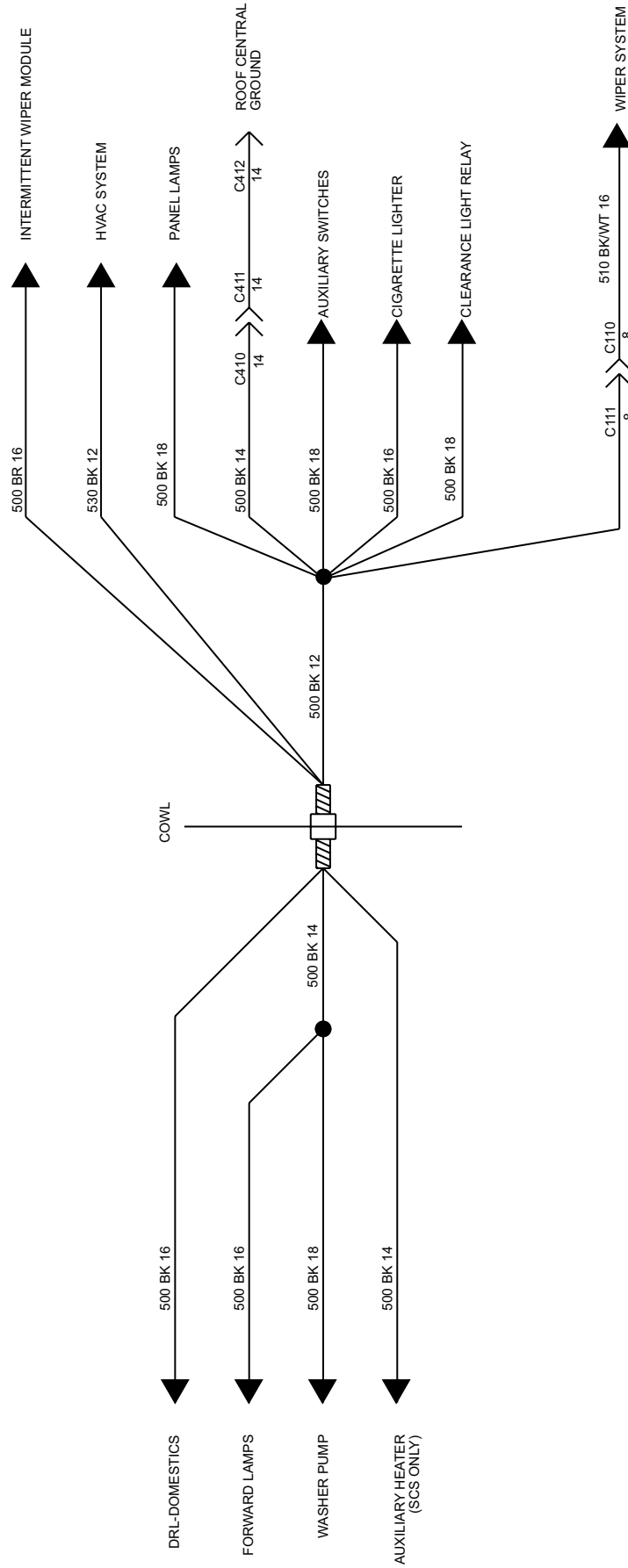
4—Power Distribution

POWER DISTRIBUTION (STANDARD)



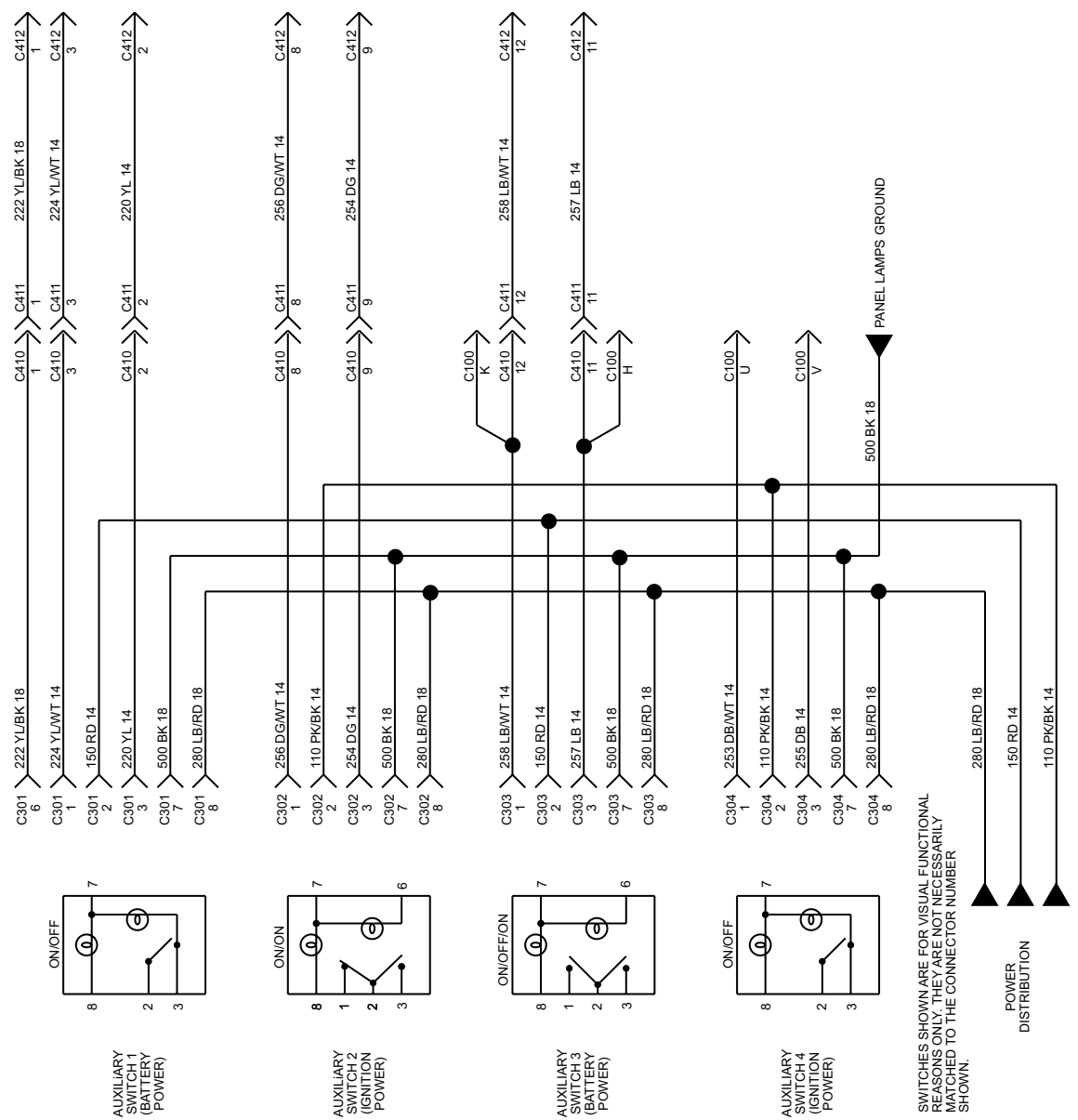
5—Grounding System

GROUNDING SYSTEM



6—Switches

SWITCHES



WIRE COLOR TO LOAD FUNCTION MAY VARY, BASED ON OPTIONS CHOSEN AND NUMBER OF SWITCHED OPTIONS CHOSEN.

SPECIAL REQUESTED OPTIONS MAY BE WIRED DIFFERENTLY THAN SHOWN ON THIS OR OTHER SHEETS.

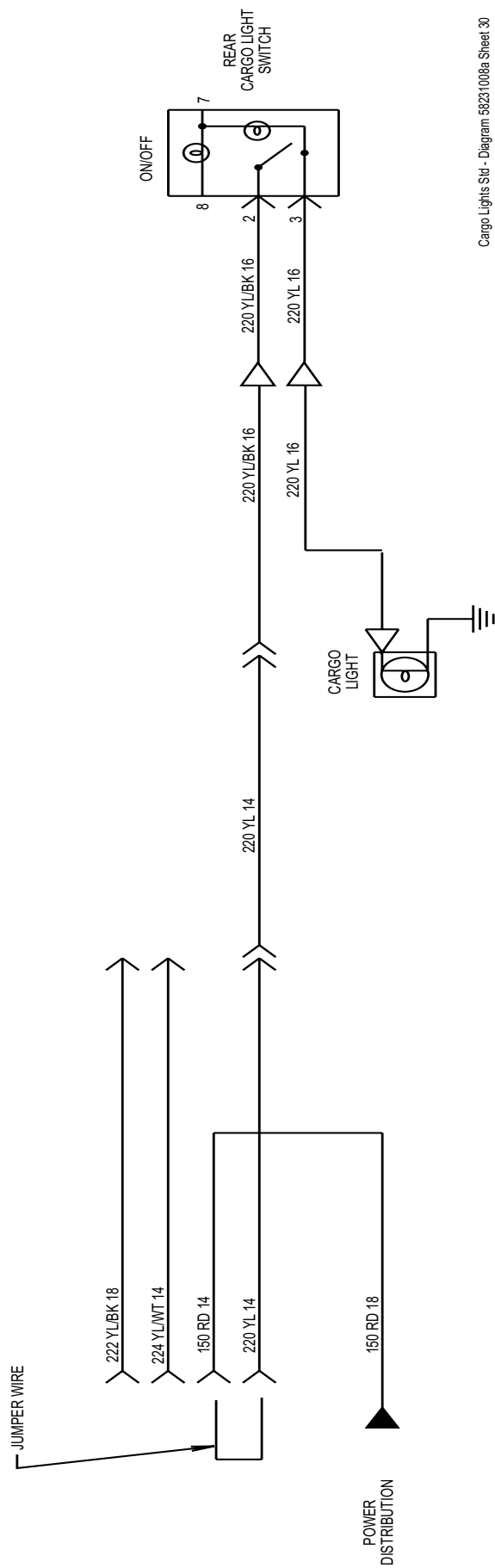
TYPICAL SWITCH USAGES:
 • ON/OFF — LIGHTS, MIRRORS, POWER VENTS
 • ON/ON — WIPER MOTOR, LIGHT SWITCH, HORN ONLY
 • ON/OFF/ON — AUX. HEATERS, DASH FANS, (2 SPEED LOADS)

SWITCHES SHOWN ARE FOR VISUAL FUNCTIONAL REASONS ONLY, THEY ARE NOT NECESSARILY MATCHED TO THE CONNECTOR NUMBER SHOWN.

7—Cargo Lamps

Standard

CARGO LIGHTS STANDARD WIRING

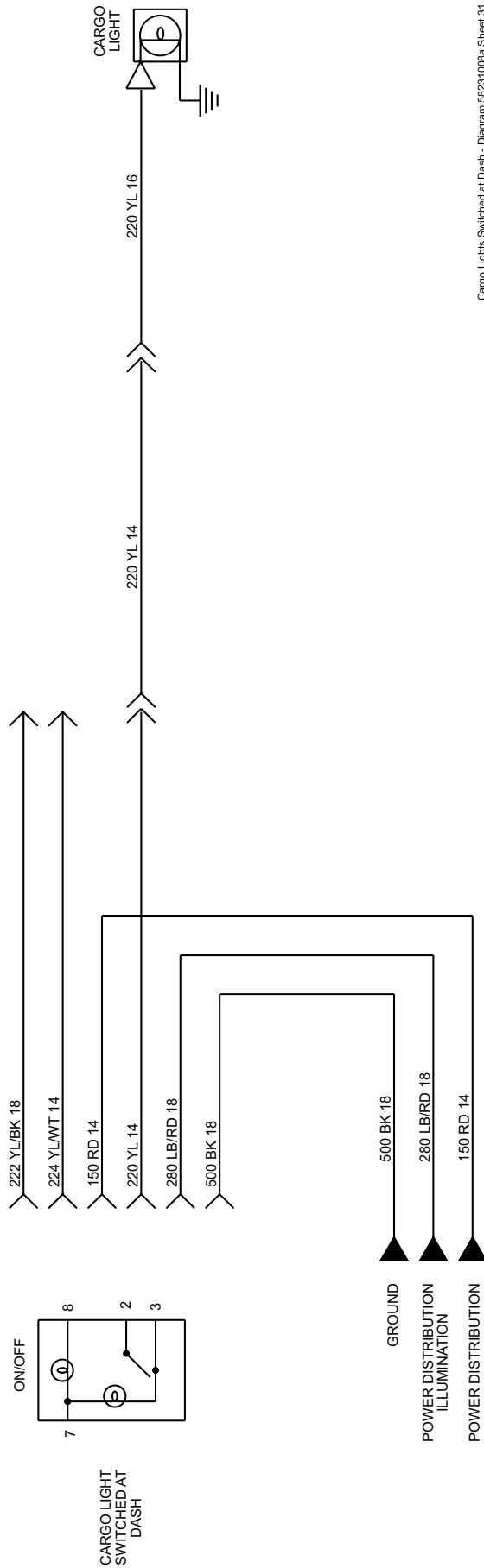


Cargo Lights Std - Diagram 56231008a Sheet 30

7—Cargo Lamps

Switch on Dash

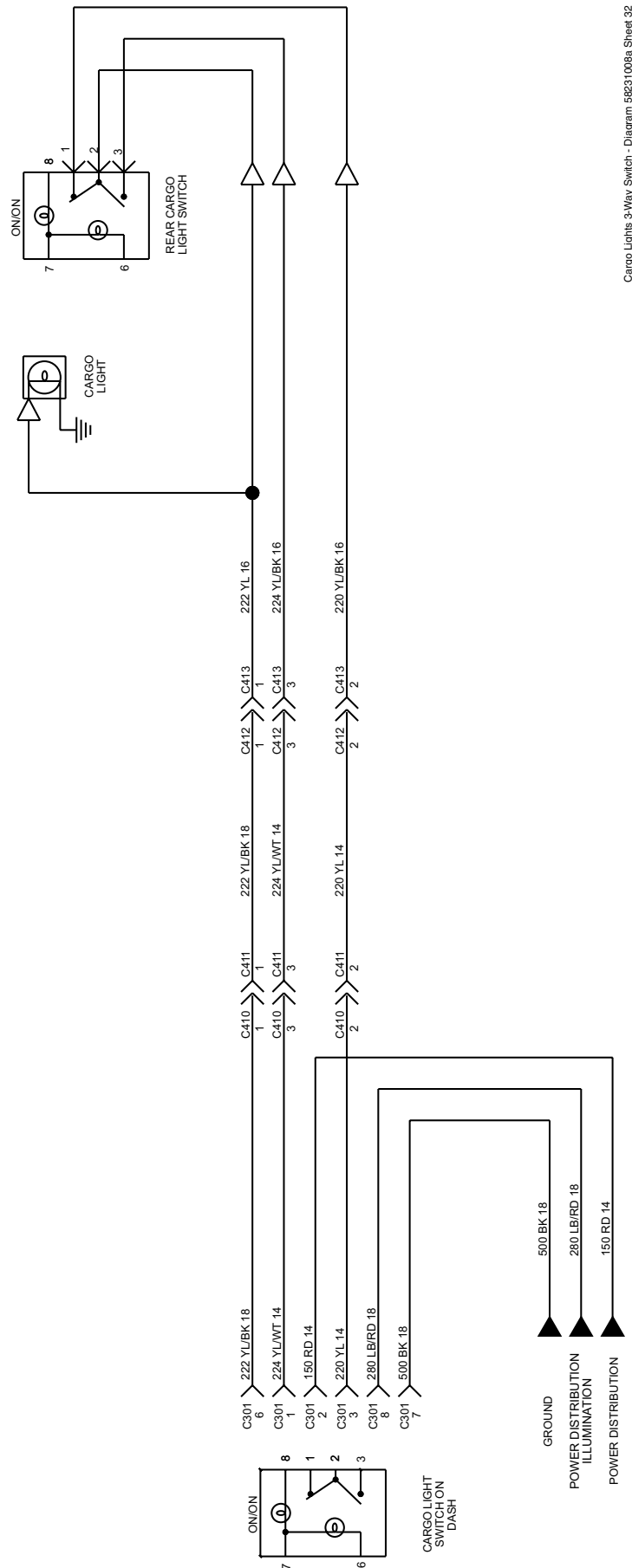
CARGO LIGHTS SWITCHED ON DASH



Cargo Lights Switched at Dash - Diagram 58231 008a Sheet 31

7—Cargo Lamps Three-Way Switch

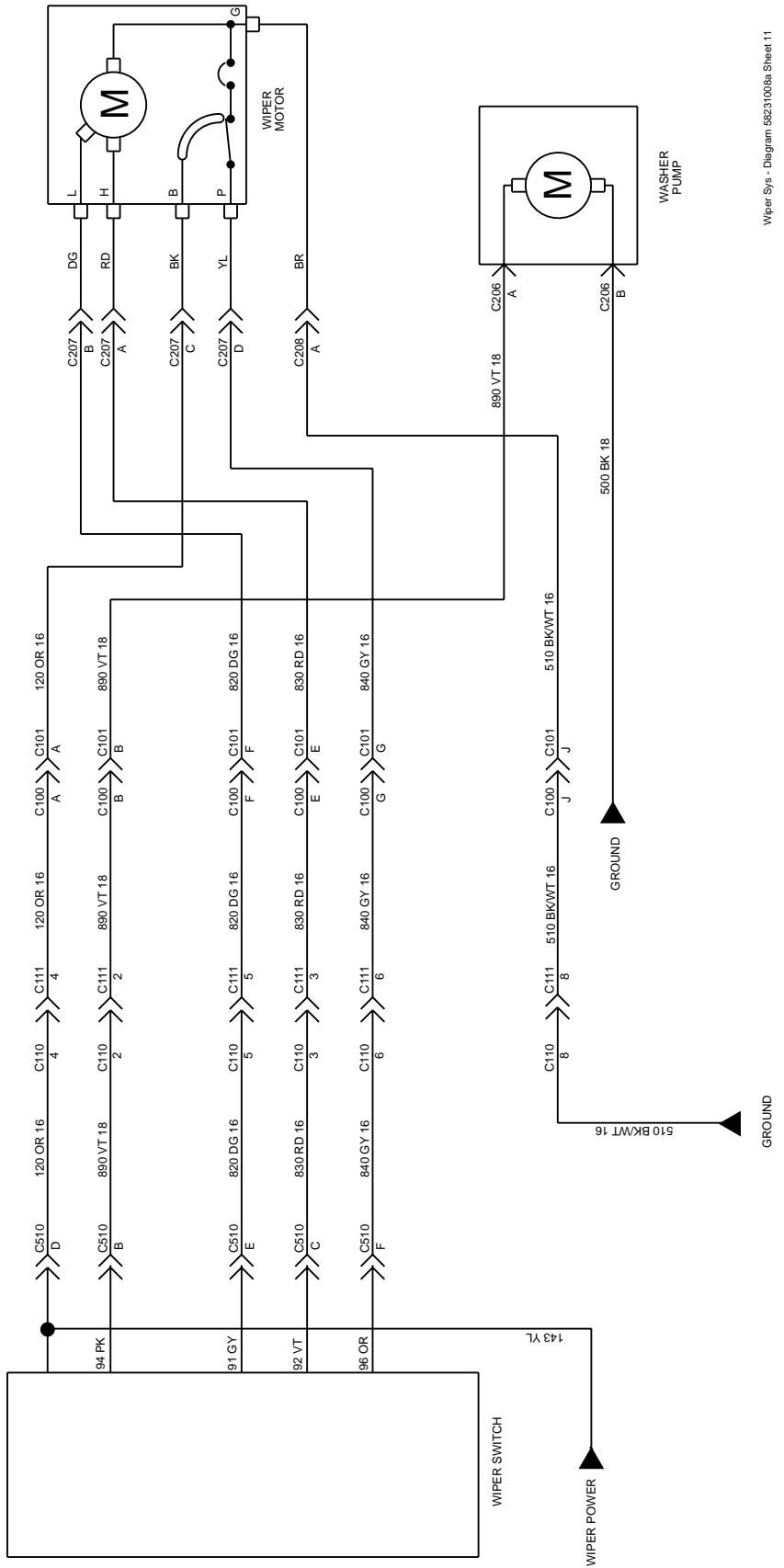
CARGO LIGHTS 3-WAY SWITCH



8—Wiper System

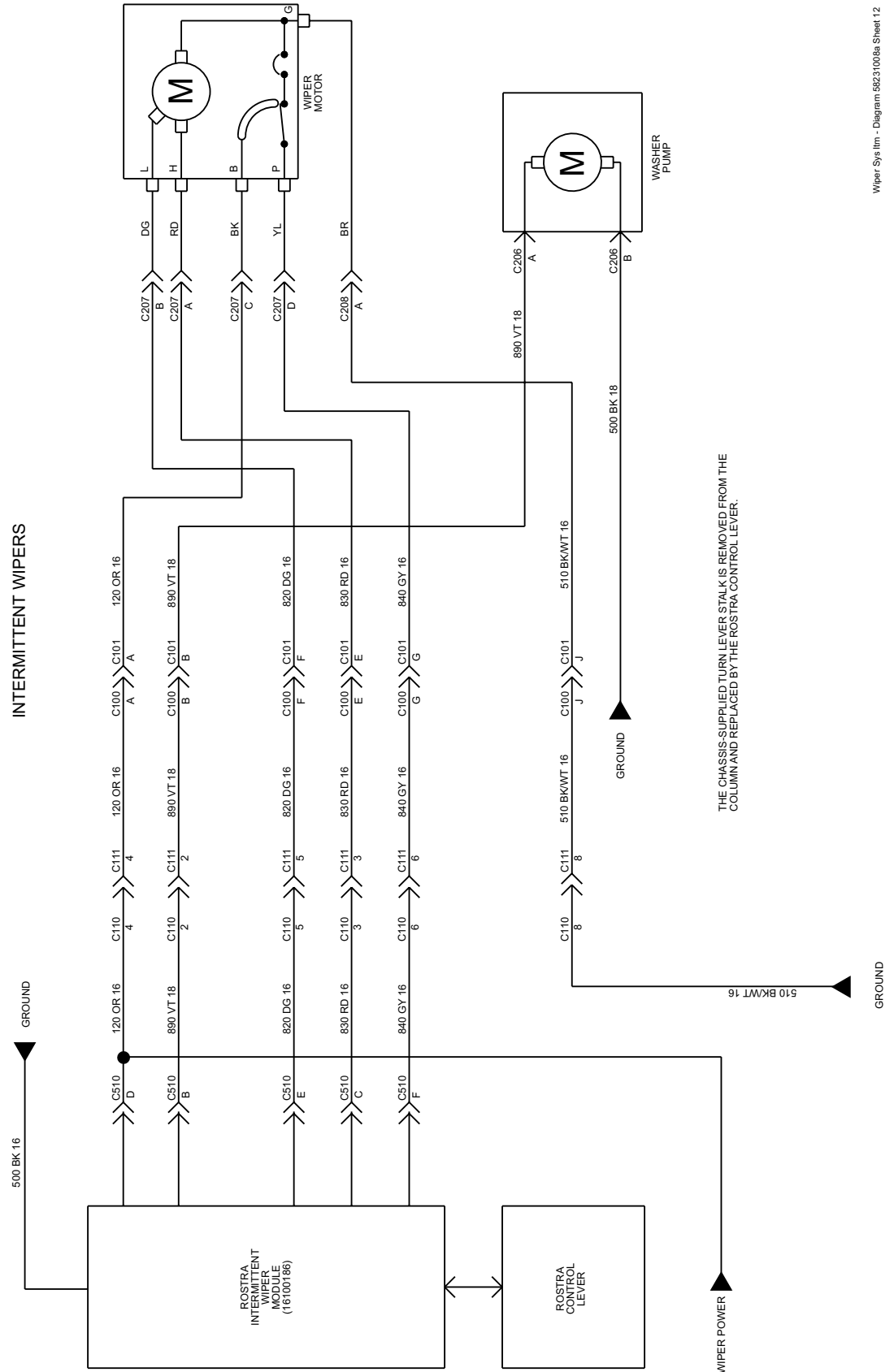
Standard and Cummins ISB4 Intermittent

STANDARD WIPERS



8—Wiper System

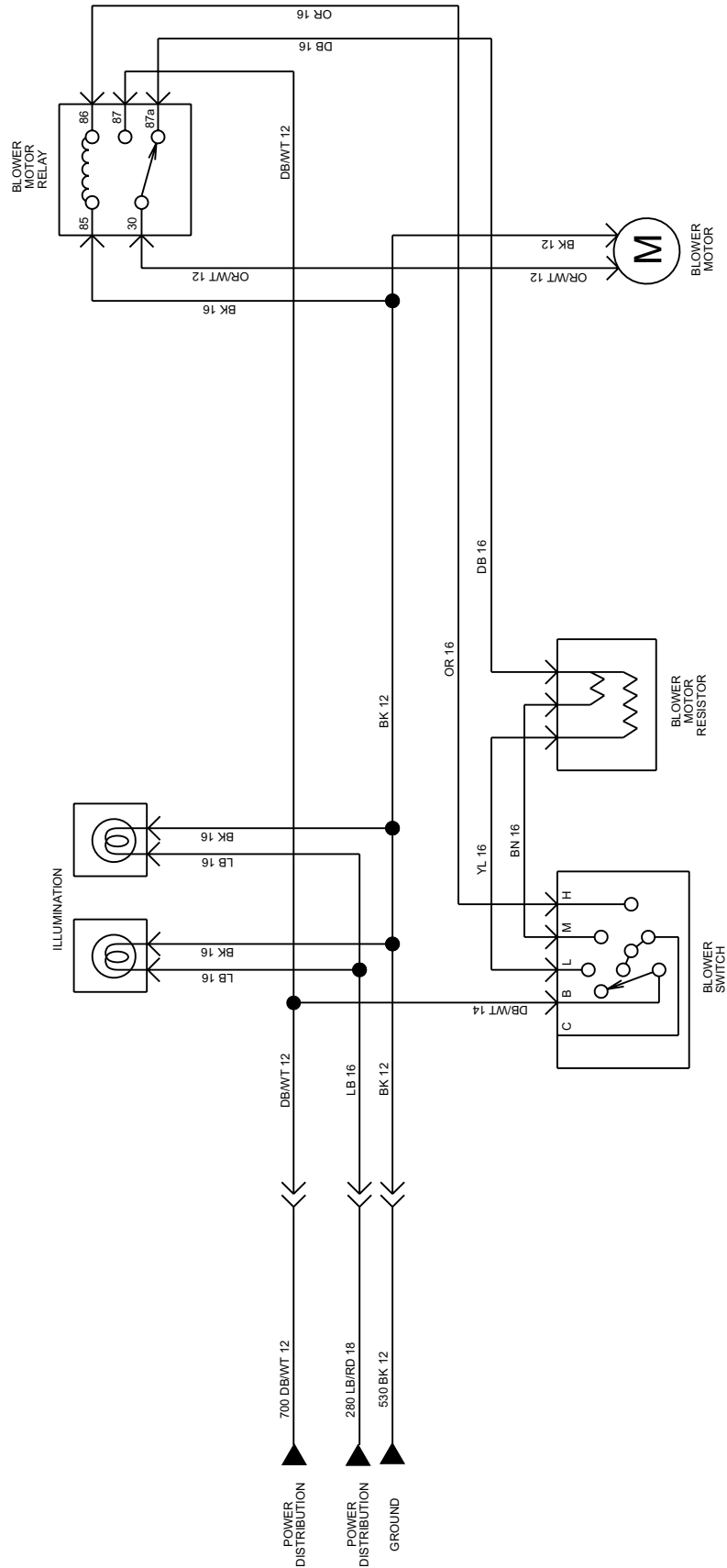
Intermittent Option (Non-Cummins ISB4)



9—Heater Only System

Cable Controls

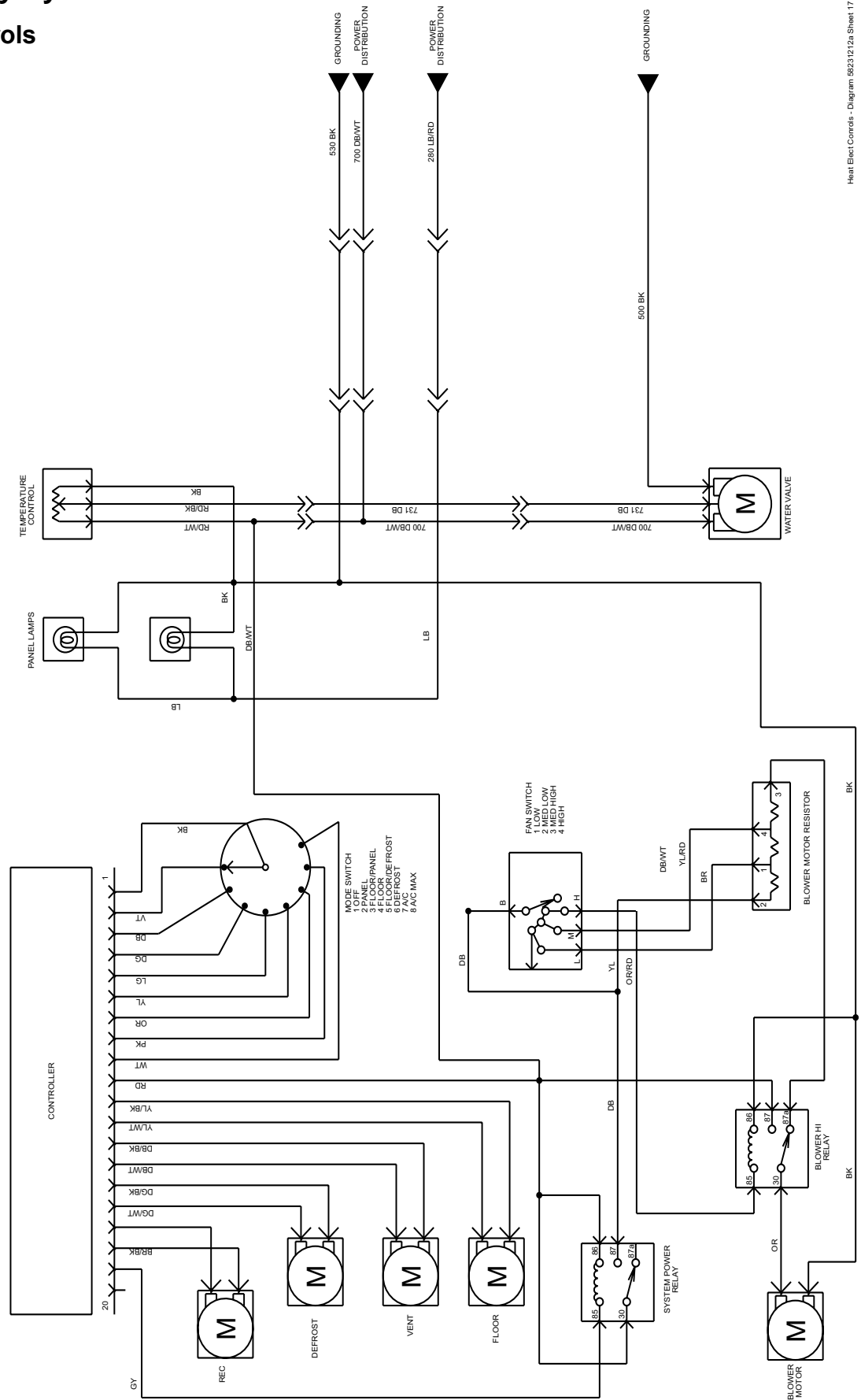
HEATER ONLY SYSTEM



9—Heater Only System

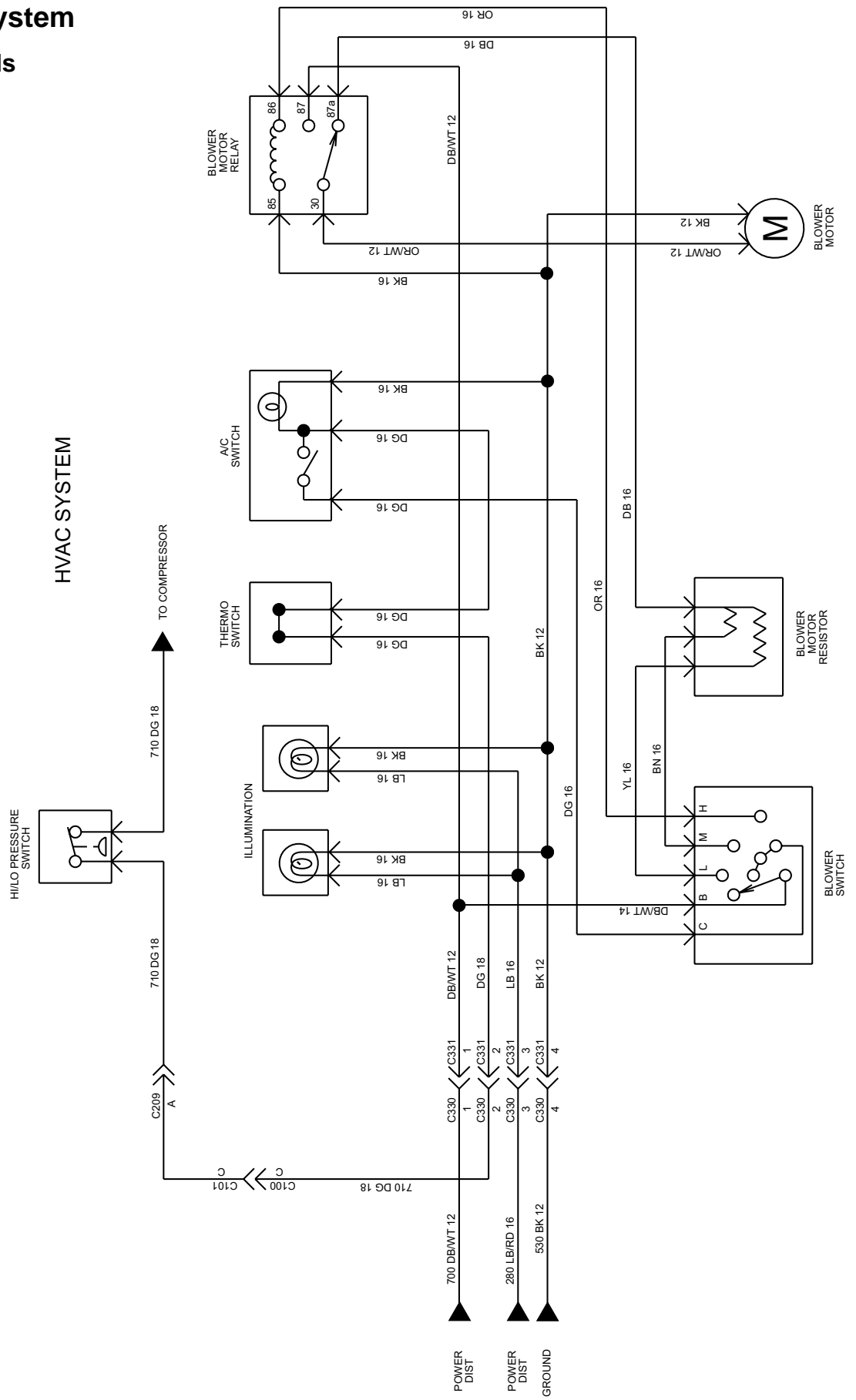
Electronic Controls

HEAT ONLY ELECTRONIC CONTROLS



9—HVAC System

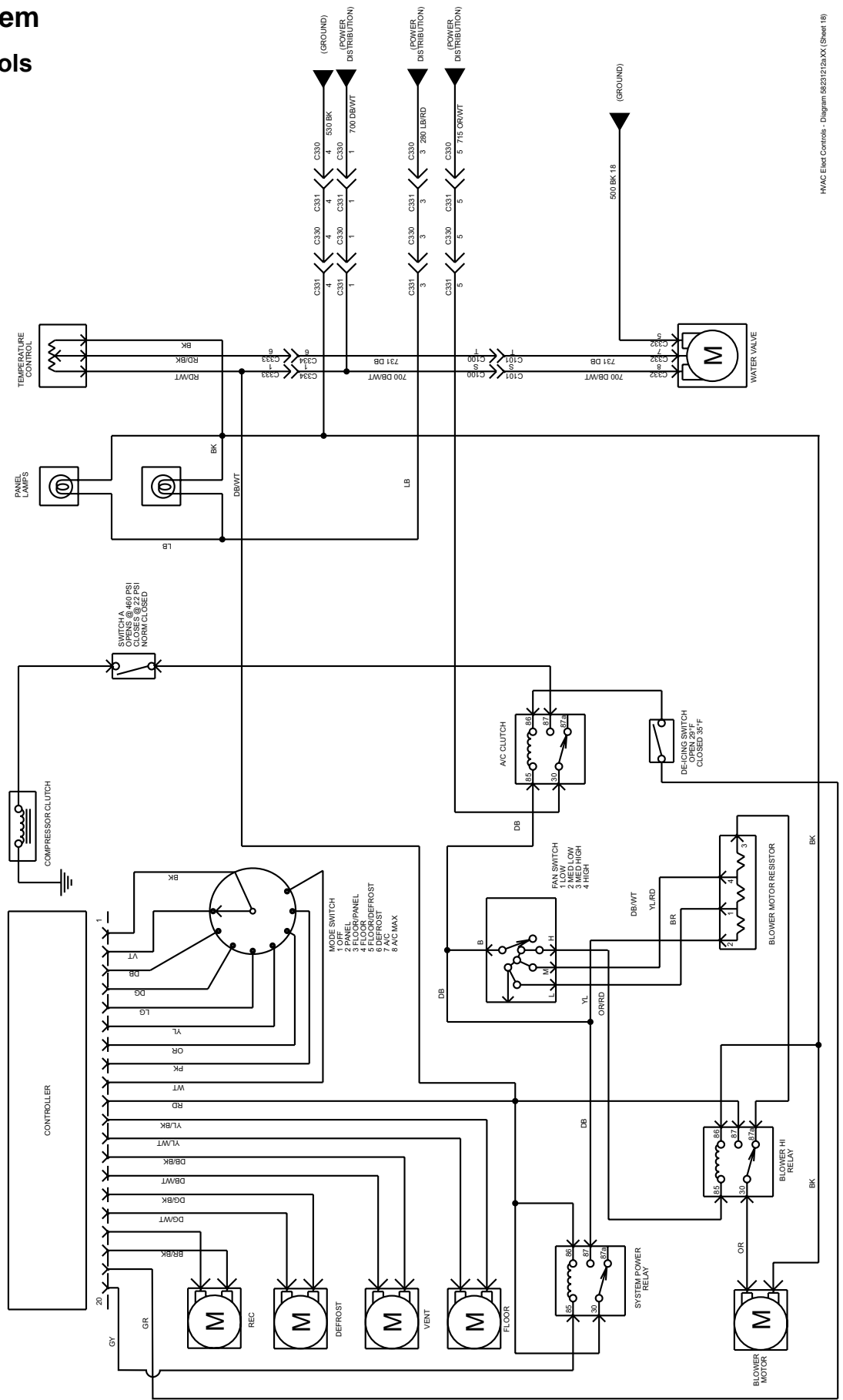
Cable Controls



HVAC Sys Cable Controls - Diagram 58231008a Sheet 14

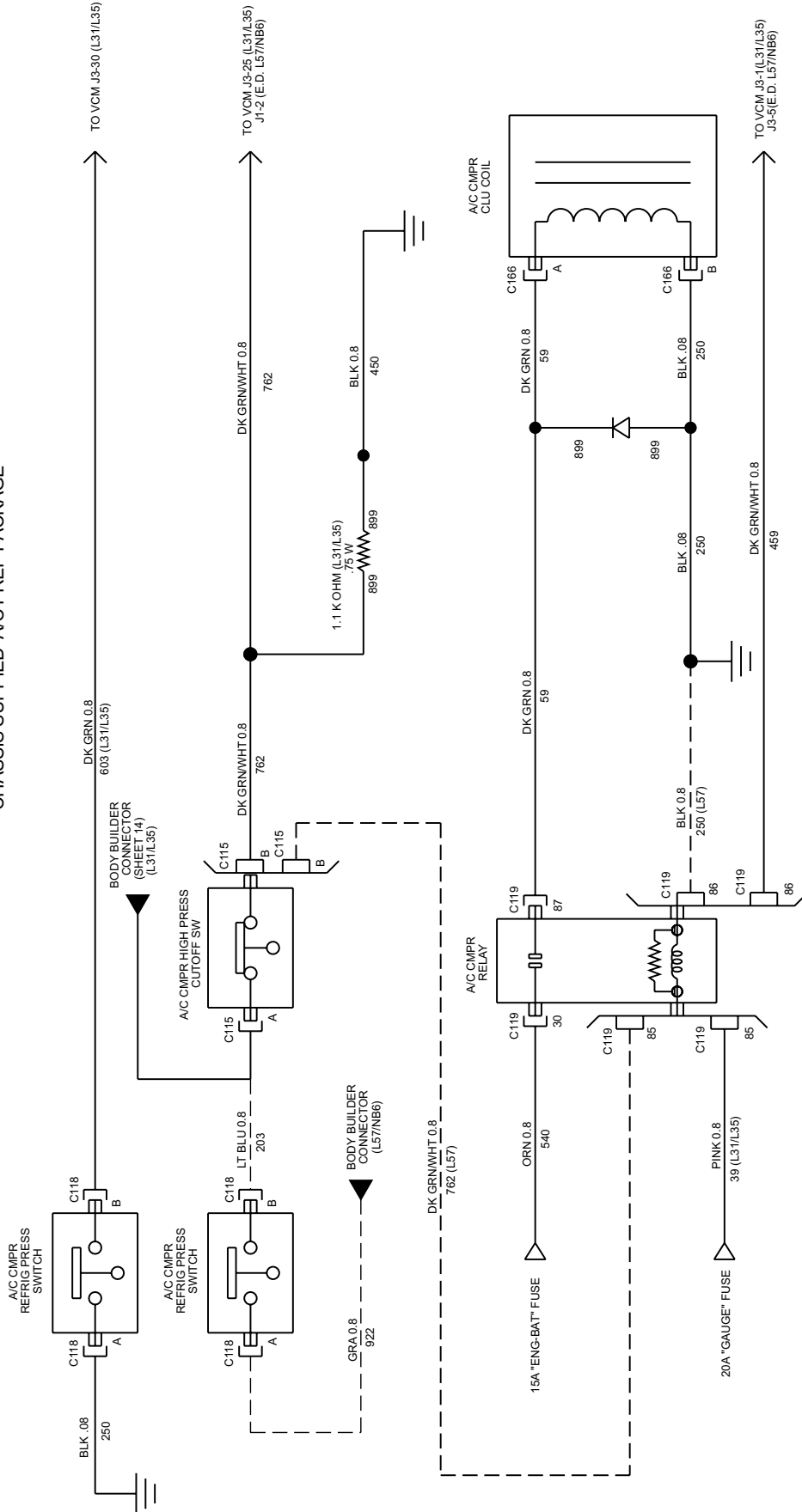
9—HVAC System Electronic Controls

HVAC ELECTRONIC CONTROLS



10—Chassis Supplied A/C Prep

CHASSIS SUPPLIED A/C PREP PACKAGE

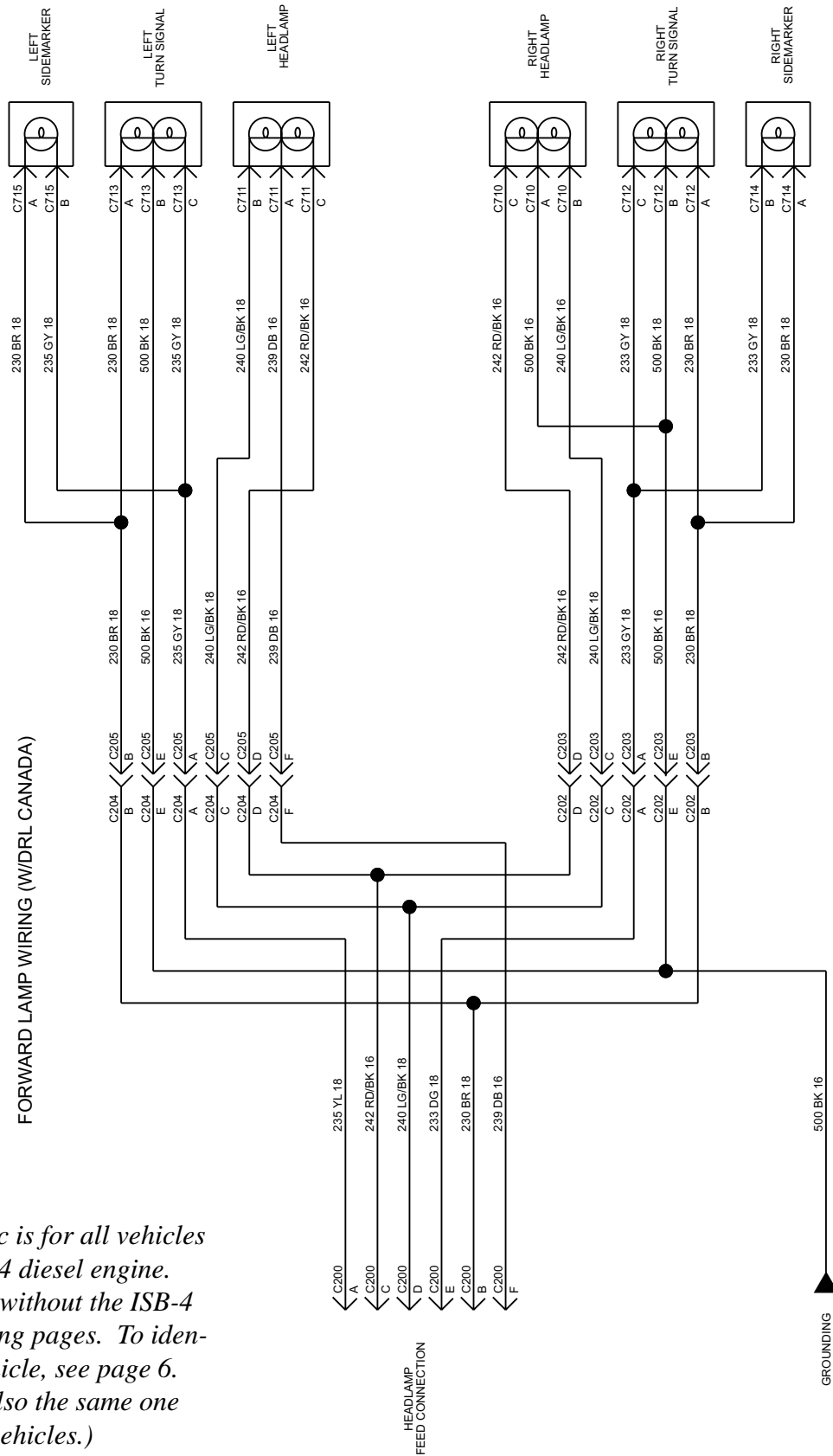


--- DENOTES MECHANICAL DIESEL ONLY

E.D. DENOTES ELECTRONIC DIESEL

11—Front Light Wiring

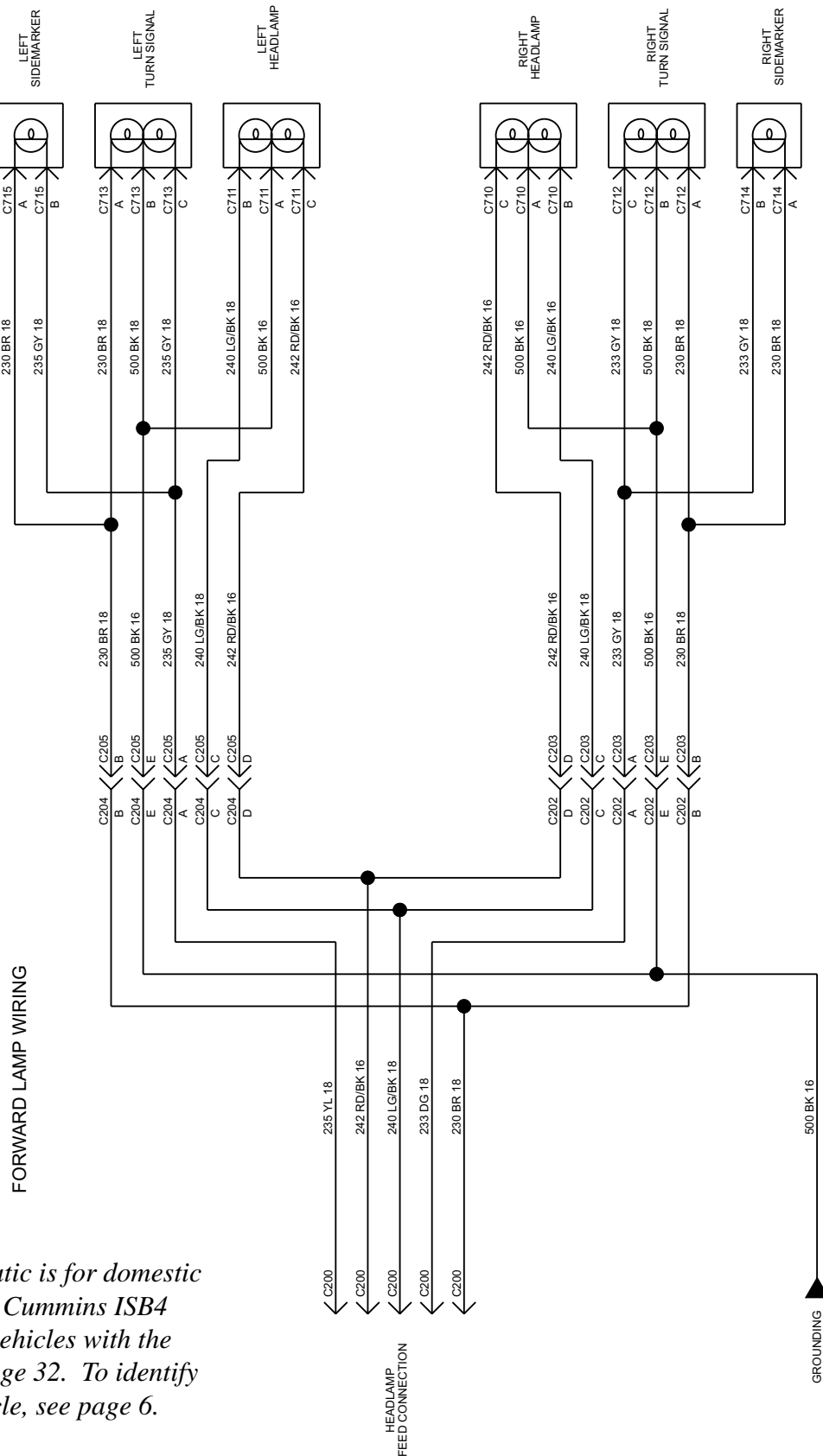
With Cummins ISB4 Diesel Engines



NOTE: This schematic is for all vehicles with the Cummins ISB4 diesel engine. For domestic vehicles without the ISB-4 engine, see the following pages. To identify the engine of a vehicle, see page 6. (This is schematic is also the same one used in all Canadian vehicles.)

11—Front Light Wiring

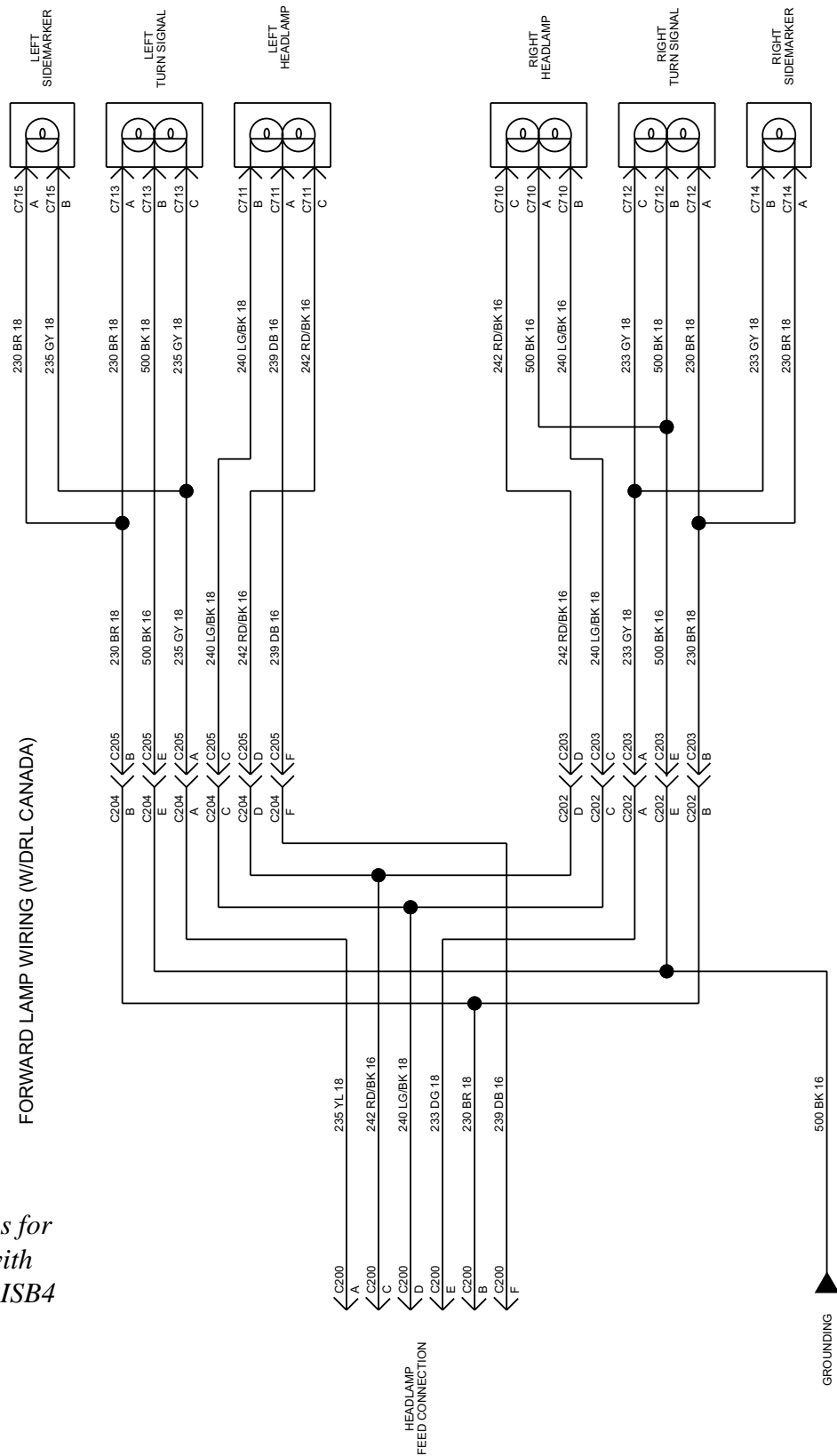
Without Daytime Running Lights



*NOTE: This schematic is for domestic vehicles **without** the Cummins ISB4 diesel engine. For vehicles with the ISB-4 engine, see page 32. To identify the engine of a vehicle, see page 6.*

11—Forward Light Wiring

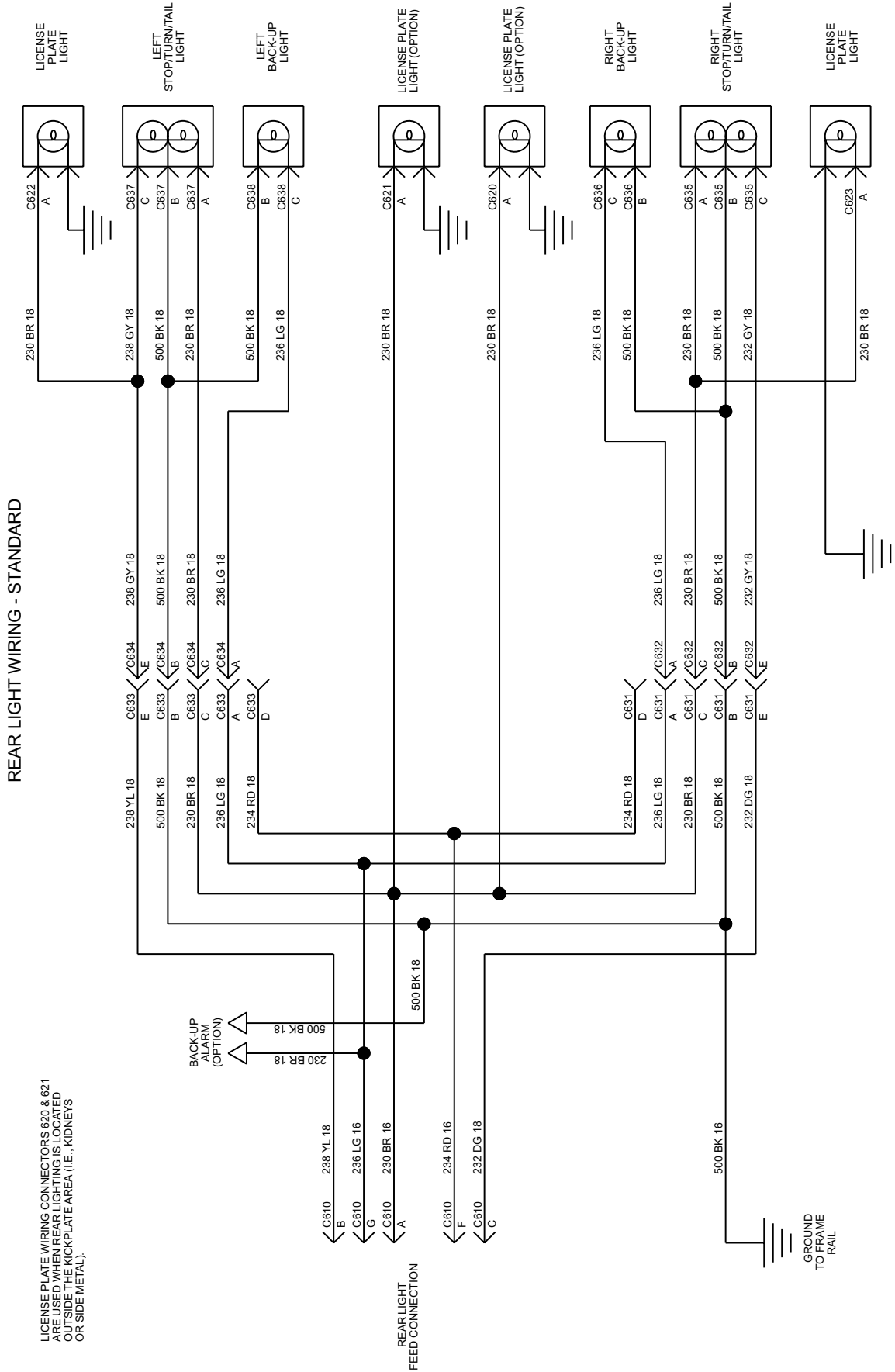
Daytime Running Lights (Canadian)



NOTE: This schematic is for all Canadian vehicles (with or without the Cummins ISB4 diesel engine).

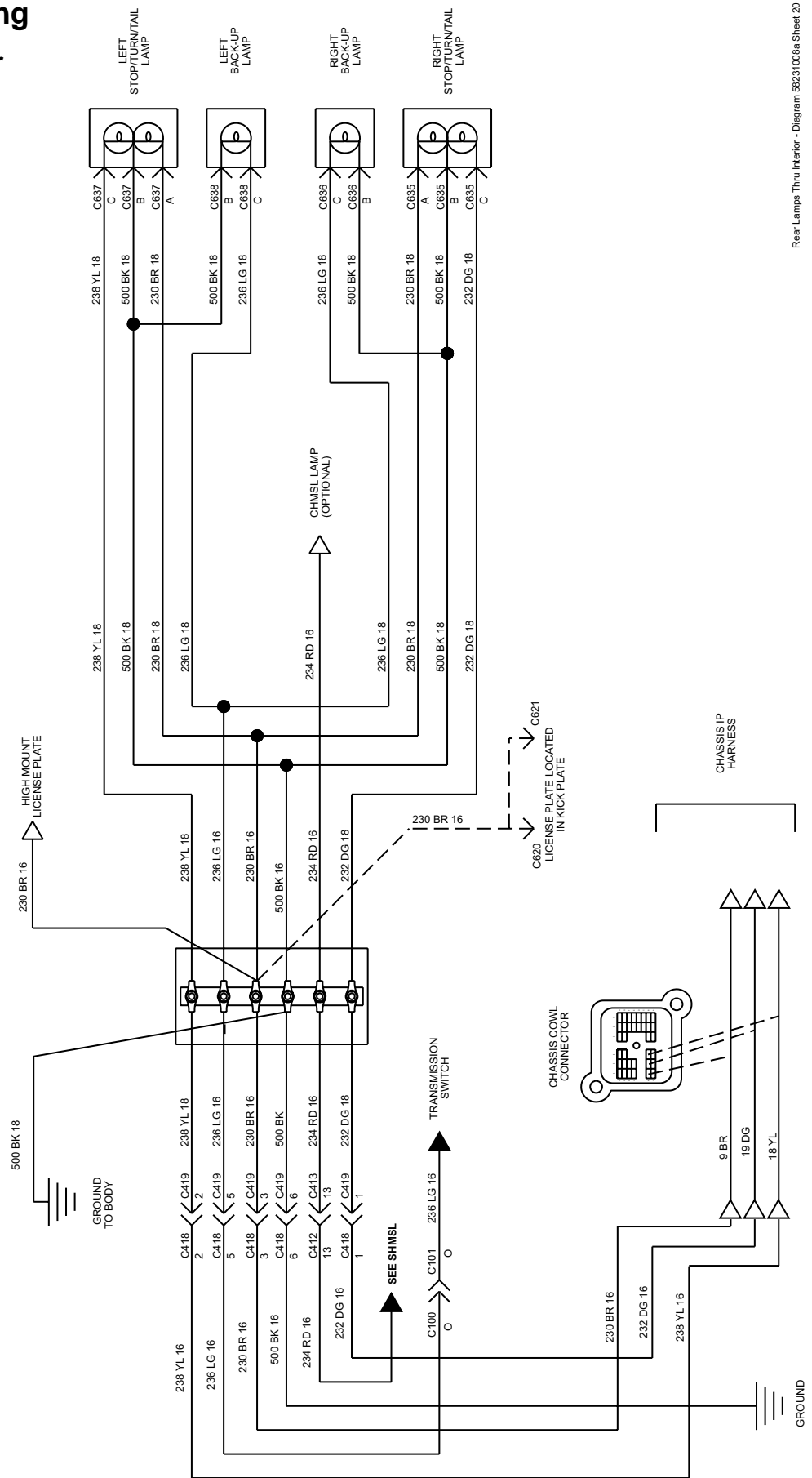
12—Rear Light Wiring

Standard



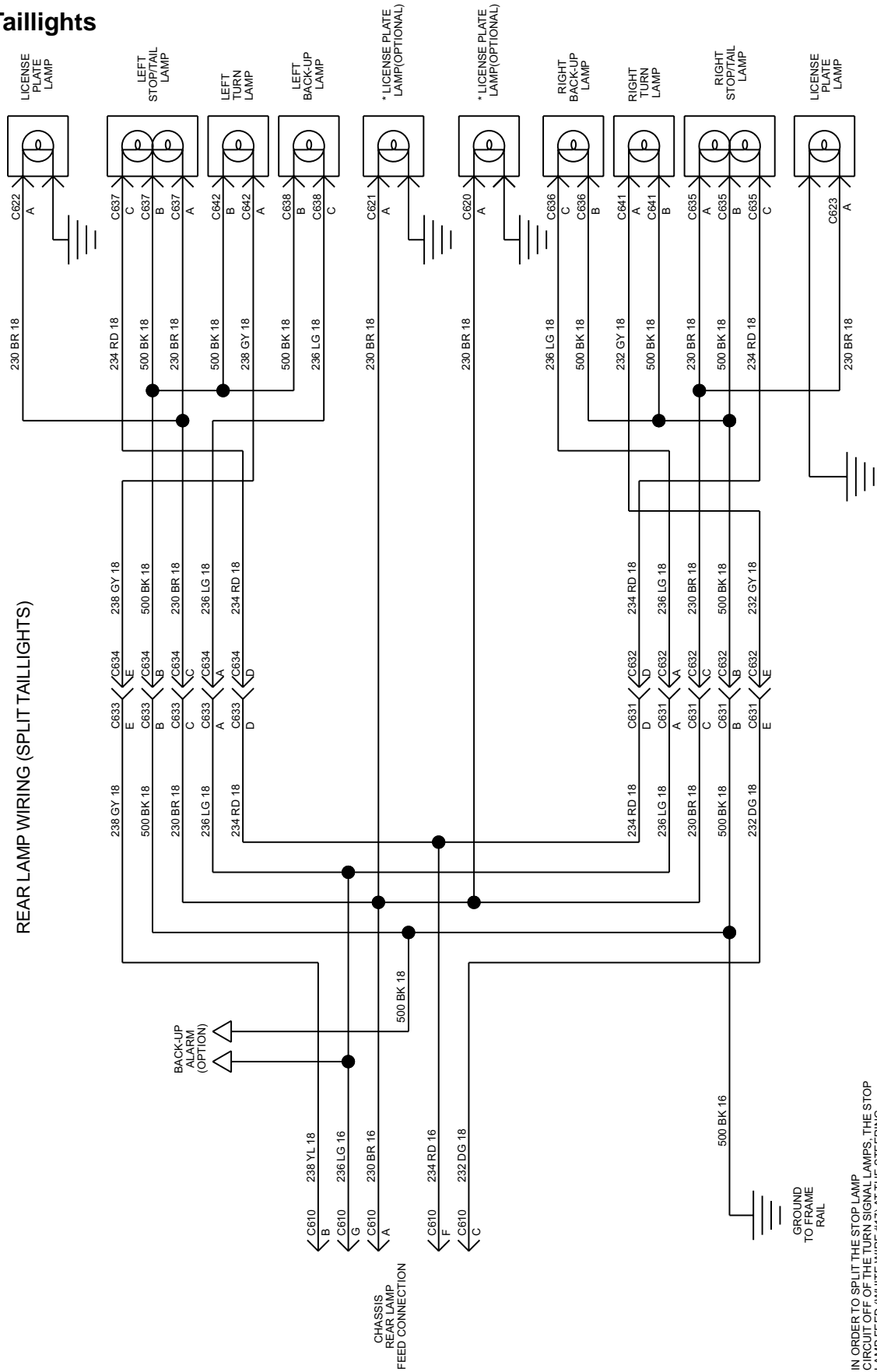
12—Rear Light Wiring Routed through Interior

REAR LAMP WIRING (ROUTED THROUGH INTERIOR)



12—Rear Light Wiring

Split Taillights

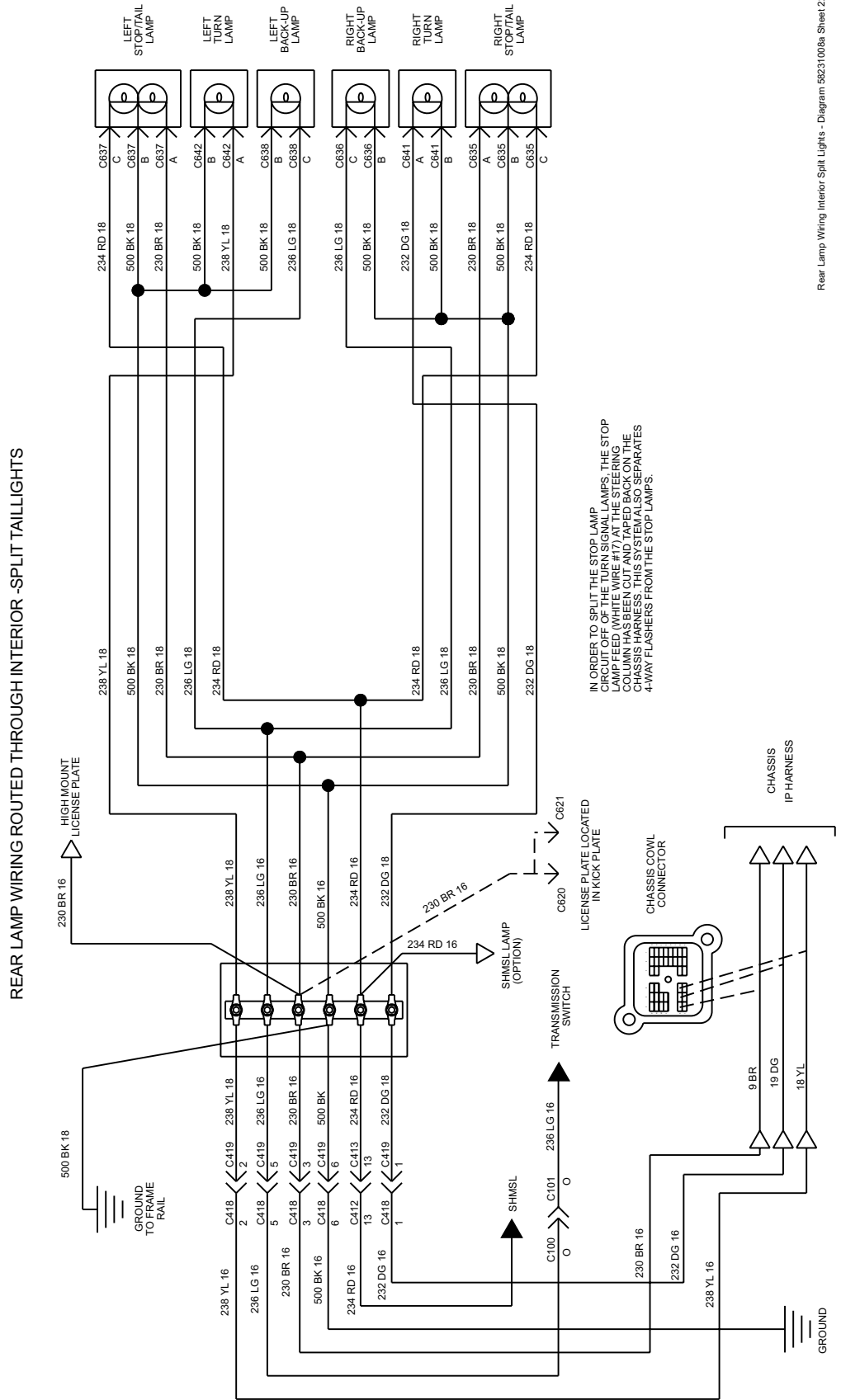


IN ORDER TO SPLIT THE STOP LAMP CIRCUIT OFF OF THE TURN SIGNAL LAMPS, THE STOP LAMP FEED (WHITE WIRE #17) AT THE STEERING COLUMN HAS BEEN CUT AND TAPED BACK ON THE CHASSIS HARNESS. THIS SYSTEM ALSO SEPARATES 4-WAY FLASHERS FROM THE STOP LAMPS.

LICENSE PLATE WIRING CONNECTORS 620 & 621 ARE UTILIZED WHEN REAR LIGHTING IS LOCATED OUTSIDE THE KICKPLATE AREA (I.E., KIDNEYS OR SIDEMETAL).

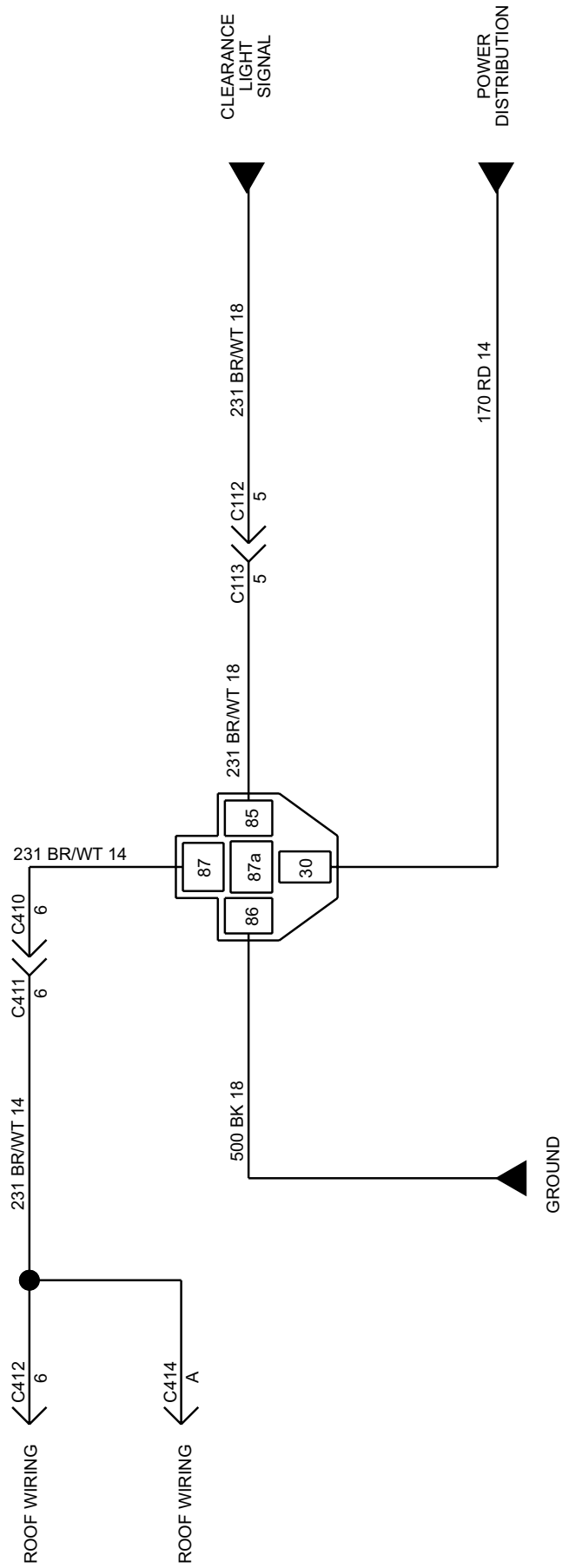
12—Rear Light Wiring

Split Taillights Routed through Interior

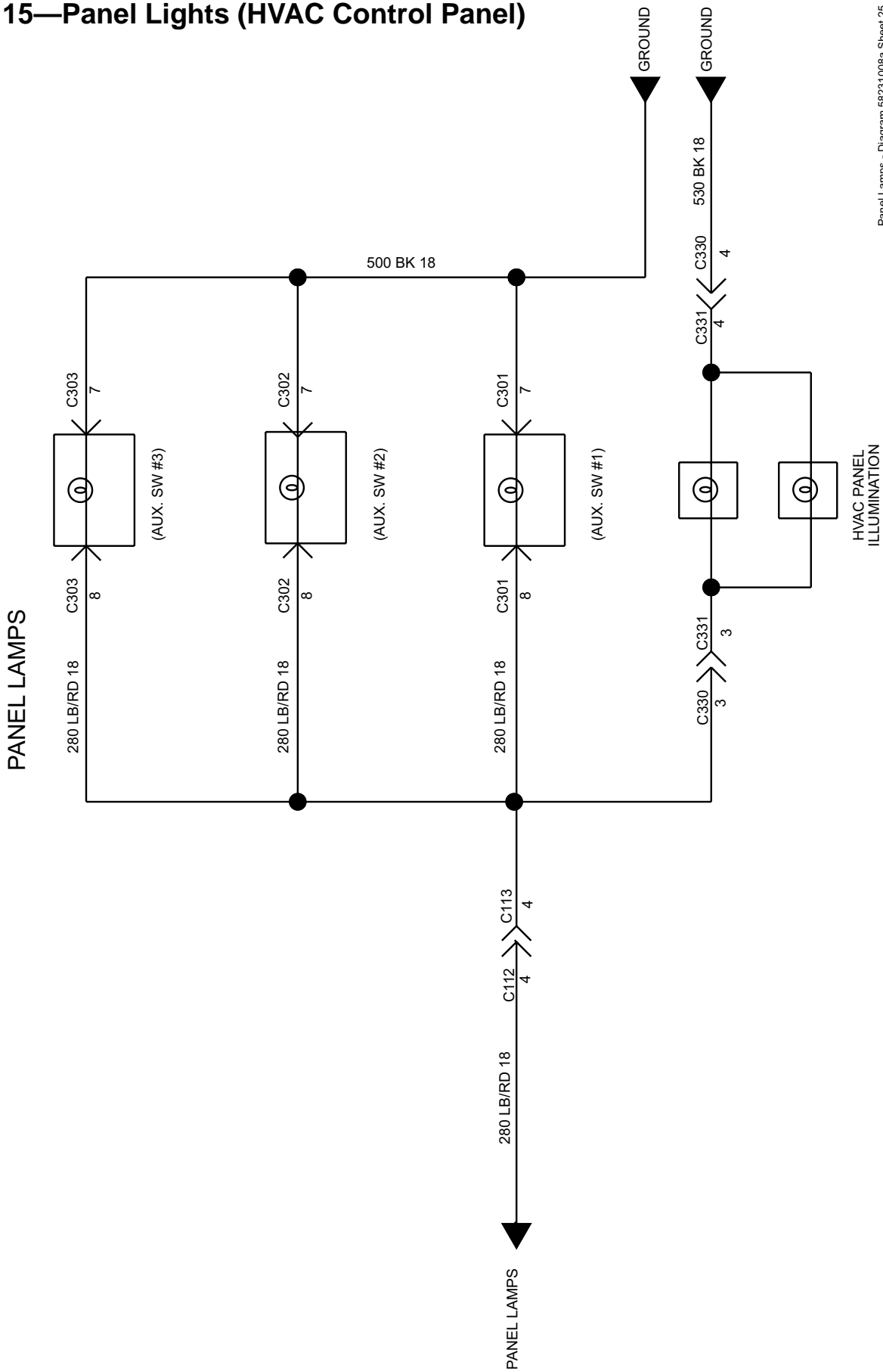


14—Clearance Lights

CLEARANCE LIGHTS



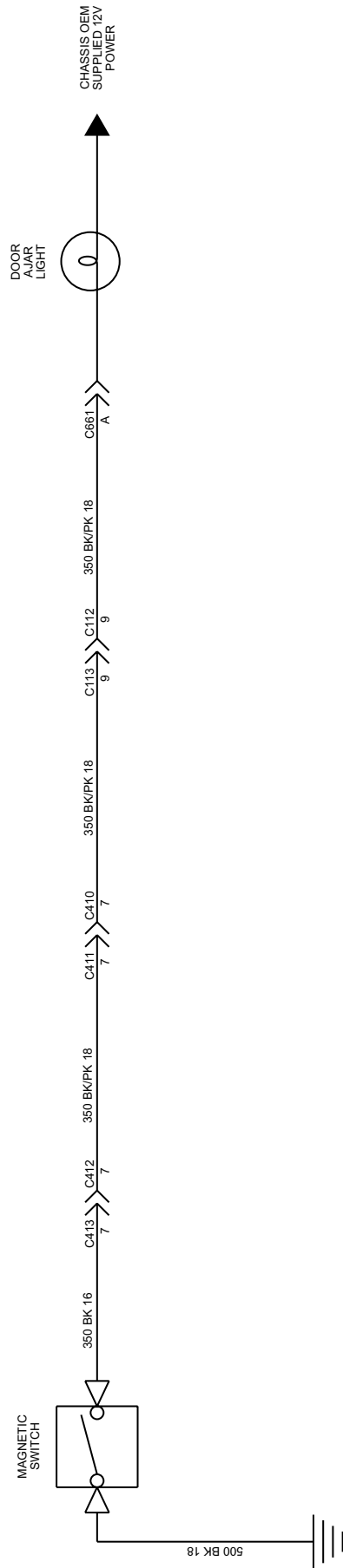
15—Panel Lights (HVAC Control Panel)



Panel Lamps - Diagram 58231008a Sheet 25

17—Door Ajar System

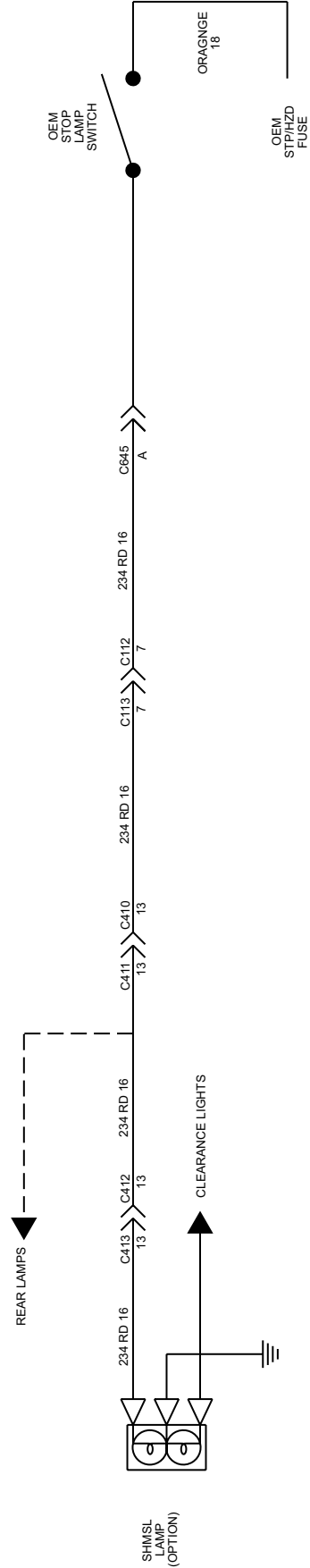
DOOR AJJAR



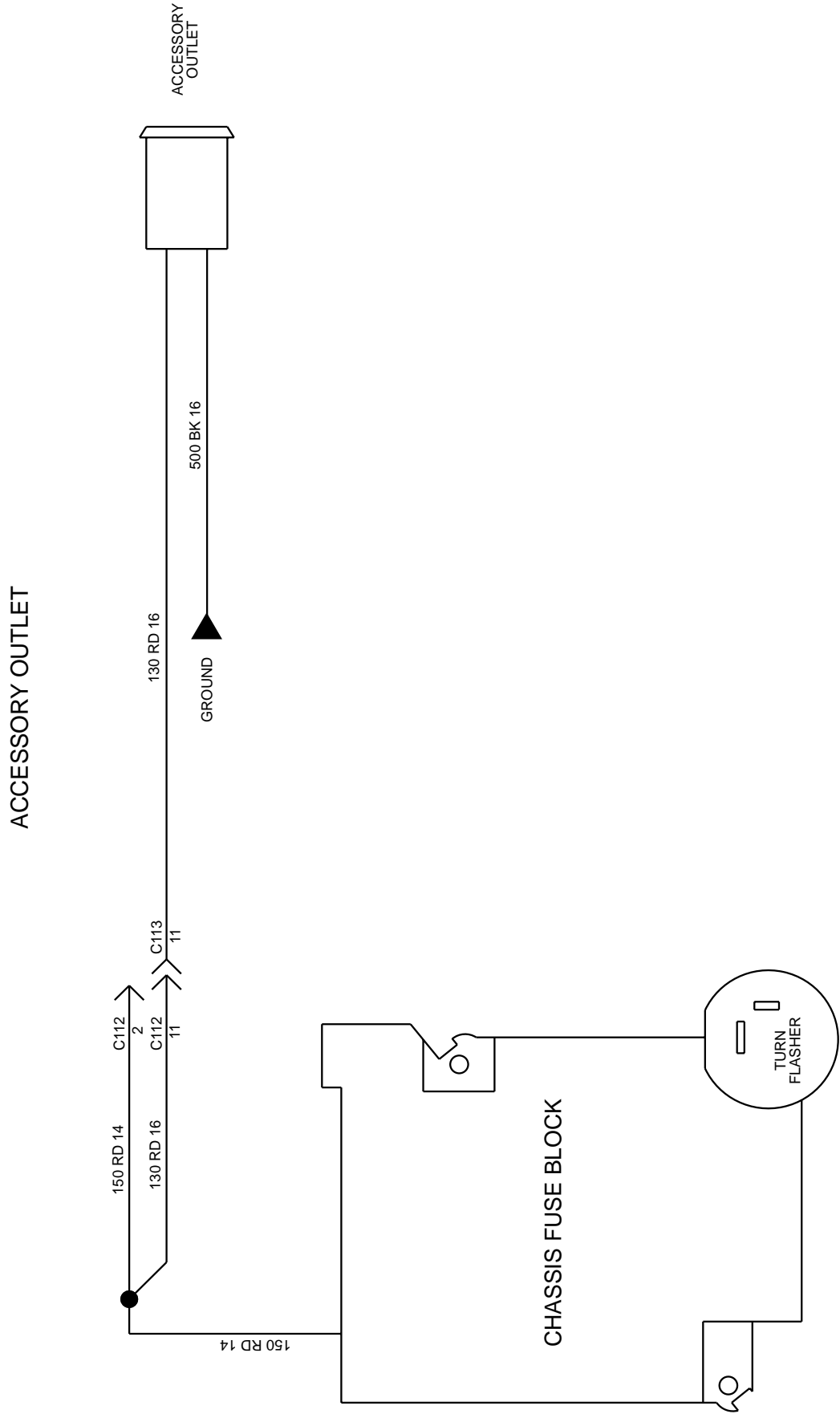
Door Ajar - Diagram 58231008a Sheet 27

18—Supplemental High Mount Stop Lamp (SHMSL)

SUPPLEMENTAL HIGH MOUNT STOP

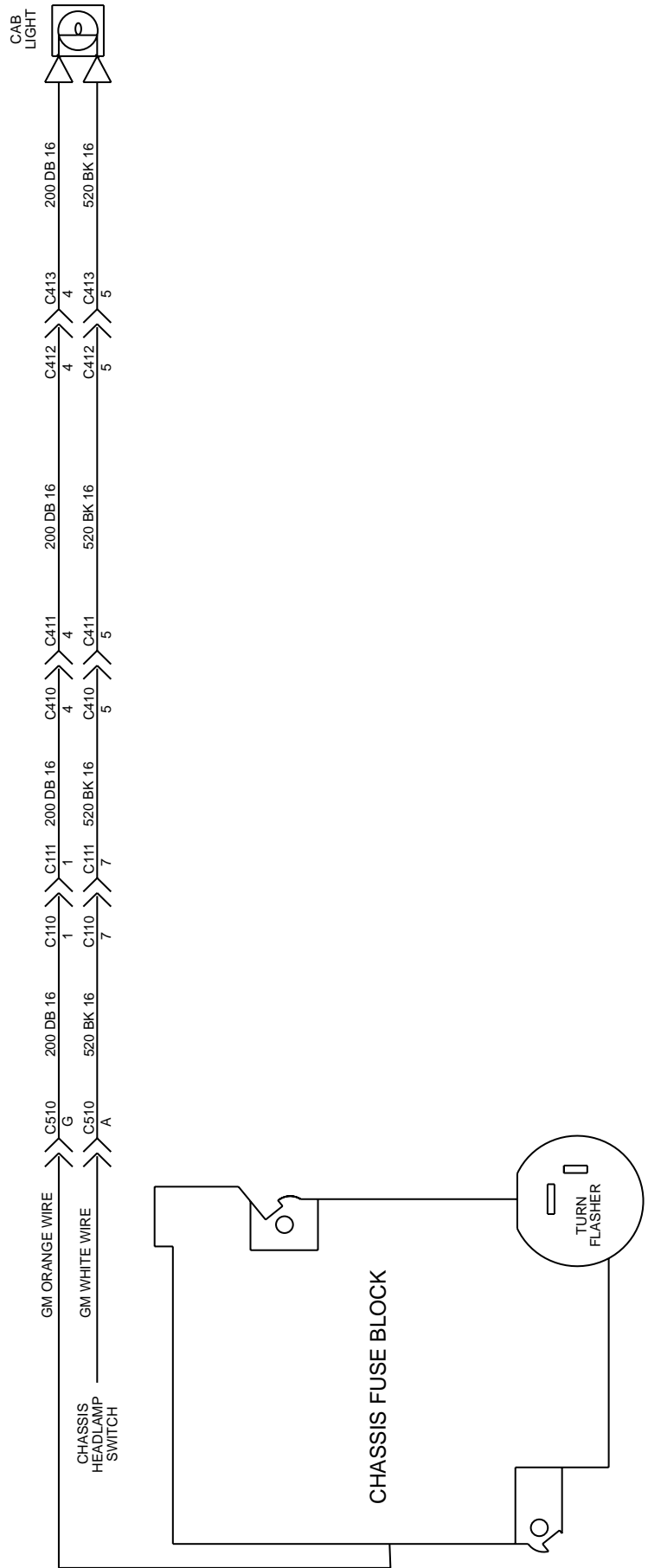


19—Accessory Outlet (Cigarette Lighter)

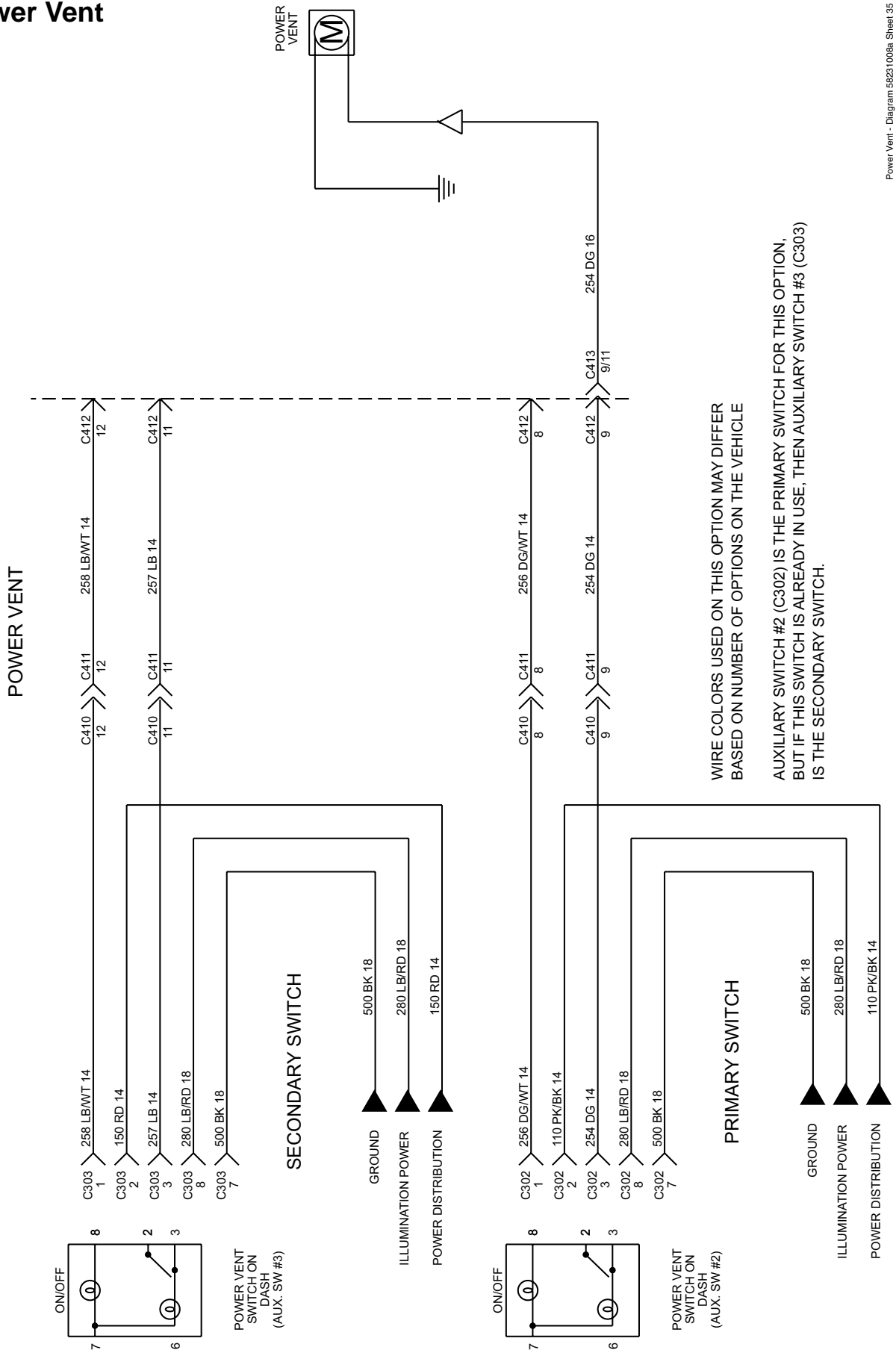


20—Cab Dome Light

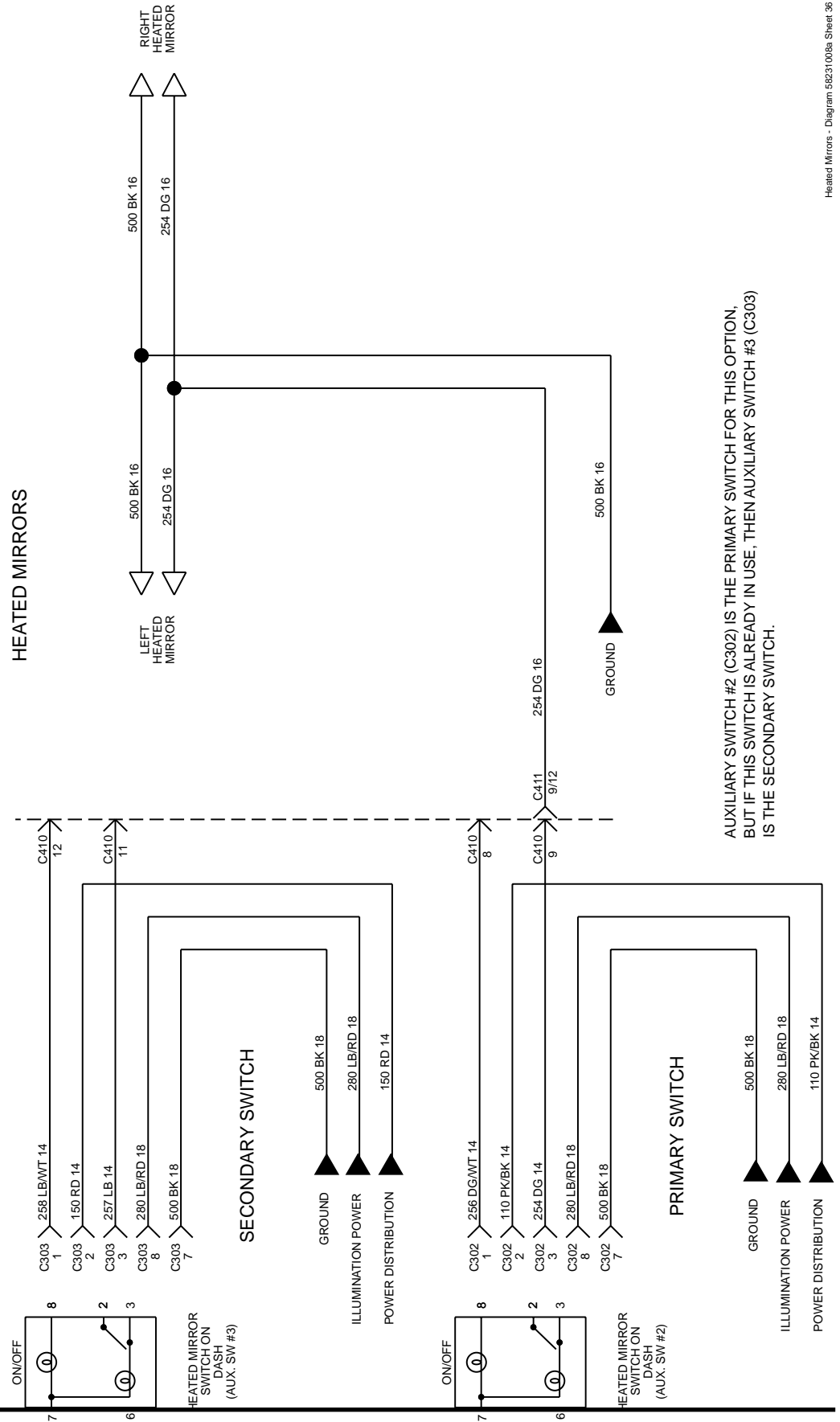
CAB DOME LAMP



22—Power Vent



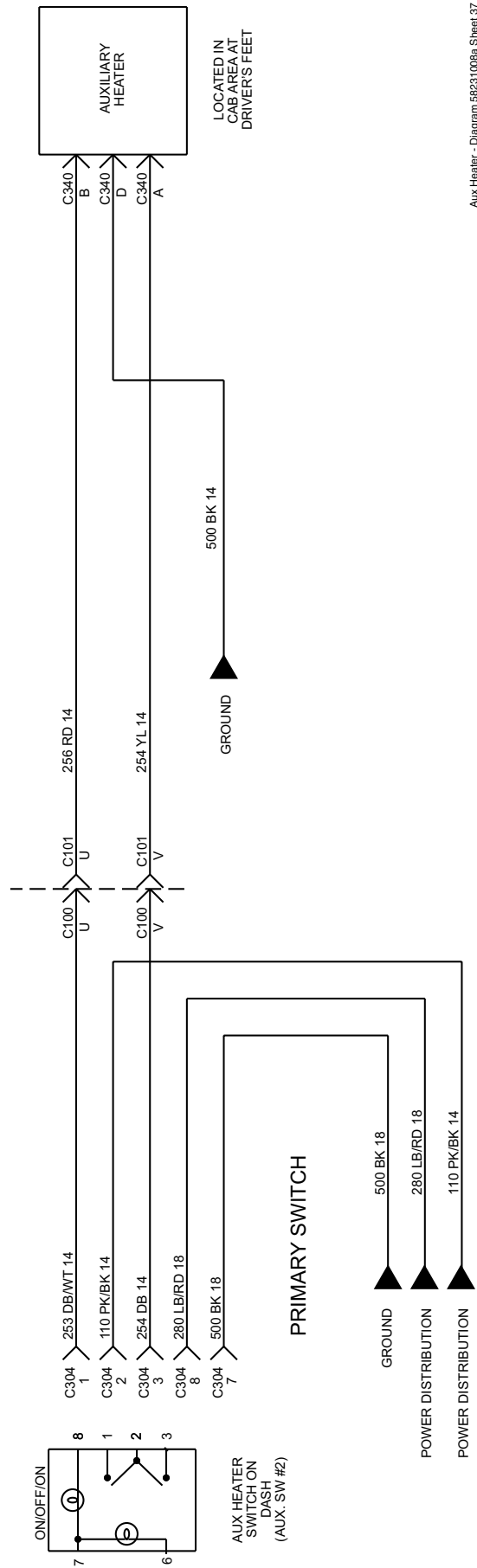
23—Heated Mirrors



AUXILIARY SWITCH #2 (C302) IS THE PRIMARY SWITCH FOR THIS OPTION, BUT IF THIS SWITCH IS ALREADY IN USE, THEN AUXILIARY SWITCH #3 (C303) IS THE SECONDARY SWITCH.

24—Auxiliary Heater

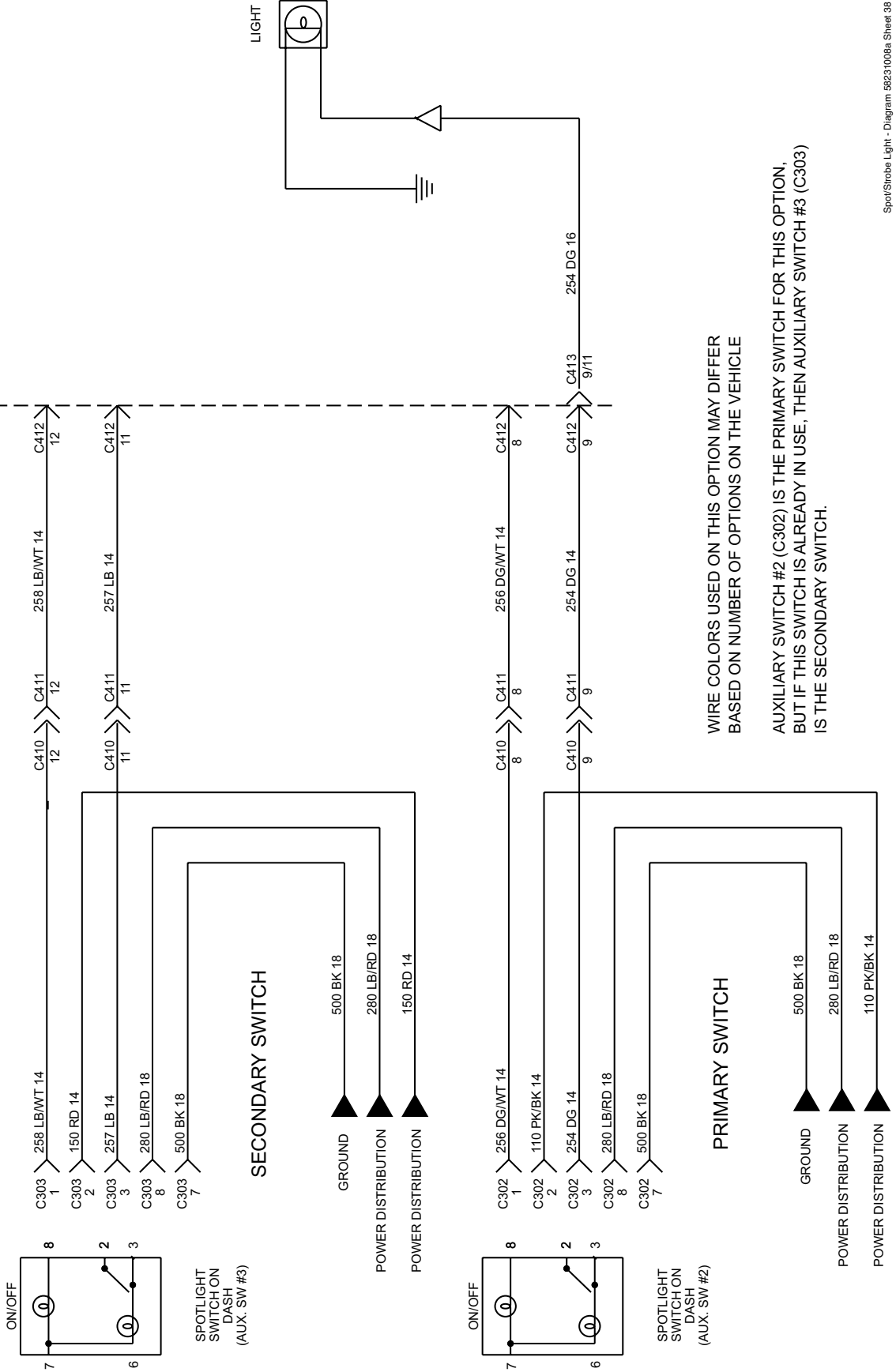
AUXILIARY HEATER

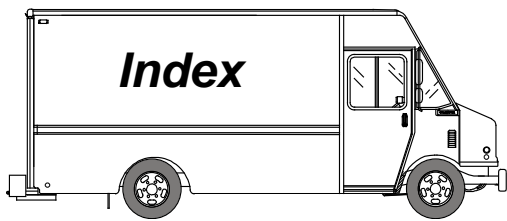


Aux Heater - Diagram 58231008a Sheet 37

25—Spotlight or Strobe Light

SPOTLIGHT/STROBE LIGHTS





A

A/C. *See* HVAC

Accessory outlet 46

Address

National Highway Traffic Safety Administration
9

U.S. Department of Transportation 9

Utilimaster

Customer Service 10

Technical Publications 3

Air conditioning. *See* HVAC

Alarm, back-up 36, 38

Auxiliary heater. *See* Heater

B

Back-up. *See* Alarm and Light

Battery 9

Body serial number 7

Bumpers 10

C

Chevrolet chassis 6, 10

CHMSL (Center High Mount Stop Light). *See*
Light: Supplemental High Mount Stop Light

Cigarette lighter. *See* Accessory outlet

Color code 11

Connectors 12, 13, 14, 15, 16, 17, 18

Cummins diesel 6, 14, 15, 16, 17, 25, 32

Cummins diesel ISB4 12

Customer service 10

D

Door ajar system 44

DRL 34, 35

E

Electrical components 10

Email 10

F

Fan, dash 40, 48

Federal Certification Label 7

Finding information 7

G

Glossary of terms 10

GM and GMC chassis 6, 10

Grounding system 20

H

Harness layout 18

Heated mirrors 50

Heater 10. *See also* HVAC
Auxiliary 51

System (no A/C) 27, 28

HVAC 29, 30, 31. *See also* Heater

L

Light

Back-up 36, 37, 38, 39

Cab 40

Cargo 23, 24, 40, 47

Center High Mount Stop Light

(CHMSL). *See* Light: Supplemental
High Mount Stop Light

Clearance 40, 41

Daytime running (DRL) 34, 35

Forward 35

Front 32, 33, 34

Head light 32, 33, 34, 35

License plate 36, 37, 38, 39

Master three-way switch 22, 23, 24, 47

Panel 42

Rear 36, 37, 38, 39

Roof 40

Side marker 32, 33, 34, 35

Spot 52

Stop 36, 37, 38, 39

Strobe 52

Supplemental High Mount Stop Light 40

Tail 36, 37, 38, 39

Turn signal 32, 33, 34, 35, 36, 37, 38

M

Mirrors, heated 50

N

Numbers

- Body serial number 7
- Index 7
- Phone 9, 10
- Section 7
- VIN 7

O

Outlet. *See* Accessory outlet

P

Parts

- Guide 10
- Manual 10
- Phone numbers 9, 10
- Power distribution 19

R

Revision 3

S

Safety 8, 9

Sections 7

Service manual 10

Spotlight 52

Stereo system 43

Strobe light 52

Switches

- A/C 29, 30, 31
- Auxiliary 21
- Auxiliary heater 51
- Blower 27, 28, 29, 30, 31
- Dash 48
- Heated mirror 50
- Hi/Lo (A/C) 29, 30, 31
- Master light switch 21
- Master three-way (cargo) 23, 24, 47
- Power vent 49
- Spotlight 52
- Strobe 52
- Thermo (A/C) 29, 30, 31

U

Unit serial number 7

Utilimaster Body Parts Manual 10

Utilimaster body serial number 7

Utilimaster Body Service Manual 10

Utilimaster Glossary of Terms 10

Utilimaster Quick Reference Parts Guide
10

V

VACS 6

Vent, powered 49

VIN 7

W

Web site 3, 10

Wiper system 10

Intermittent 26

Standard 25

Workhorse chassis 6, 10



Part Number: 03102354-WY00EN

© 2012, Utilimaster® Corp., 603 Earthway Blvd., Bristol, IN, 46507-9182
