



A SPARTAN MOTORS COMPANY

Service Guide

Rear Roll-up Door W-Series

Door, W-Series Rear Roll-up

! WARNING

Do NOT use the rear door pull strap to support yourself when entering or exiting the rear. The strap can break or pull the door down on you. Use the grab handles for aid getting in and out of the back.

A roll up-door counterbalance spring is wound under high tension. Only qualified technicians should adjust this spring.

A moving door can cause injury or death. Stand clear of the opening while the door is moving.

Read the safety and warning decals provided by the manufacturer. Never paint over the decals, and replace them if they are faded.

! CAUTION

To prevent damage to the cargo or vehicle, be sure that the rear door is closed and latched before driving the vehicle.

NOTICE

The information in this document applies to our most common roll-up door option. If your vehicle is equipped with a different roll-up door, refer to the door manufacturer's service guide for operation, adjustment, and maintenance instructions.

To **unlock** the door from the **outside**, insert the key in the lock and turn clockwise 1/4 turn until thumb lock pops out. Rotate key counter-clockwise 1/4 turn, and remove the key from the lock.

To **open** the door from the **outside**, push down on the lower door lift handle to relieve tension on the latches and rotate the release handle clockwise until the latches release.

To **open** the door from the **inside**, push down on the door to relieve tension on latches, and push the lever toward the passenger's side of vehicle until the side latches release.

To **lock** the door from the **outside**, insert the key and turn clockwise and push in on thumb lock.



Rear roll-up door release handle



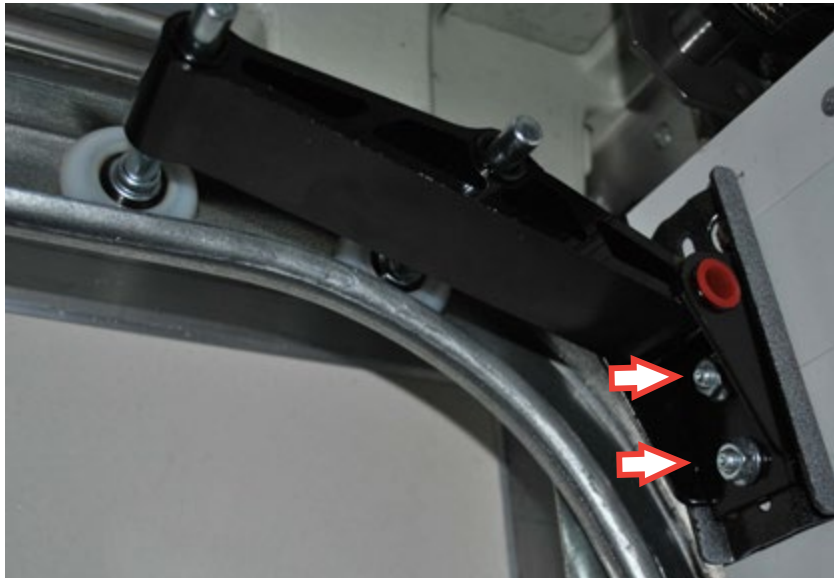
Rear roll-up door lift handle

Adjustment

NOTICE

Adjusting the roller bracket up moves the panel in. Adjusting the roller bracket down moves the panel out. The door may jam if adjusted too tightly.

1. Check that the door does NOT bind in the track, and is centered in opening.
2. Position top roller brackets so that the top panel is vertical and seals along both the top and sides.
3. Tighten nuts.



Nut location on top roller bracket

Removal

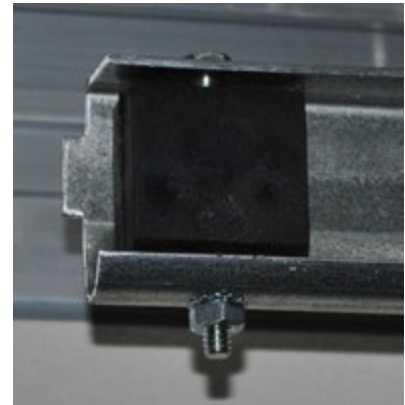
!WARNING

The counterbalance springs are wound under high tension and can cause severe injury or death. Release the tension as described prior to performing repairs.

Installation, repairs, and adjustments must be made by trained service personnel using proper tools and instructions.

Use two heavy-gauge steel winding bars with the proper dimensions. Do NOT use bent winding bars, screwdrivers, or punches for spring winding.

1. Close door.
2. Remove cables.
3. Remove the nuts, washers, and bolts from stops located at the end of each track and set aside.
4. Slowly move door up and remove from tracks.



Stop bolt

Installation

1. Lift and slowly slide door into top of tracks.
2. Install cables.
3. Secure stops located at the end of each track with bolts, washers, and nuts.
4. Adjust spring.

Cables

Removal

!WARNING

To avoid injury or damage to the equipment, do NOT raise the door with the winding bar in place.

NOTICE

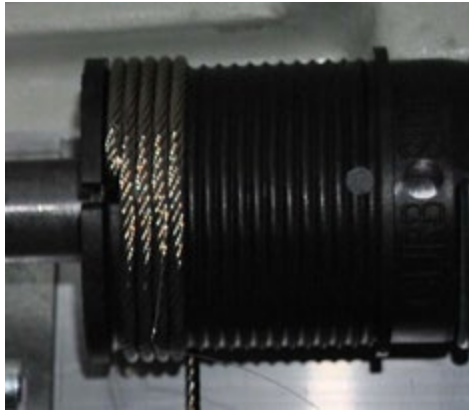
It is recommended to replace both cables even if only one cable is frayed or damaged.

1. Close door.
2. Insert a winding bar that is 1/2" in diameter by 10" long into one of the spring-winding plug holes.
3. Raise the bar to allow insertion of a second winding bar into the lower hole.
4. Release the tension enough to allow the second bar to rest against the top panel.



Spring winding plug holes

5. Release the cable drum from the shaft by loosening (2) set screws on the cable drum and remove cable.
6. Remove the cotter and anchor pins to remove cable from bottom door panel.



Cable drum



Cotter and anchor pins

Installation

! CAUTION

Ensure the drums are against the counterbalance shaft bearings, the setscrews are properly tightened, and the cables have equal tension.

Rotating the counterbalance assembly too far may cause the cables to jump off the cable drum.

NOTICE

The cable must be wound from the outermost groove toward the inside of the drum.

1. Secure the cable end to the anchor bracket with an anchor pin.
2. Secure anchor pin with a cotter pin.
3. Enter loose end of cable into slot in open end of cable drum.
4. Kink cable to follow first groove in drum and wind the spring so that the cable follows the grooves tightly. Cable must come off the bottom of the drum to be installed properly. Rotate spring by hand to put tension onto cable.
5. Slide spring assembly along shaft until cable from bottom of drum is in line with cable anchor and tighten setscrews.
6. Adjust spring.

Panels

⚠ CAUTION

Do NOT drill through the outside panel of a hollow core door.

Removal

NOTICE

Before removing the bottom panel, the cables needs to be removed.

Remove hardware from panels to be used on replacement panels.

1. Close door and clamp track below panel to be removed.
2. Remove rivets in hinges. Insert a punch in one of the rivet holes to stabilize the panel while removing the remaining rivets.

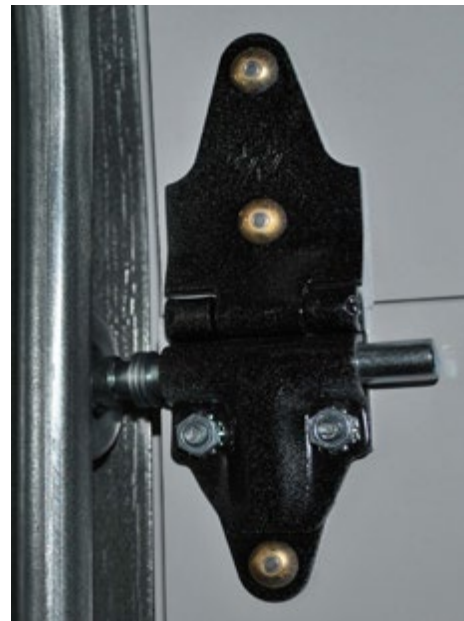
NOTICE

If removing the top panel, remove the bolts and washers in both top rollers.

3. Remove rollers.
4. Lift the door panels, above panel to be replaced, into horizontal track and secure with clamps on the track.
5. Remove punches and lift out the panel.



Top roller bracket



Roller hinge

Installation

1. Clamp the panel into position and lower the door from the horizontal track.
2. Drill the holes on the new panel, using the holes on the hinge as a guide.

NOTICE

If installing the top panel, secure the bolts and washers in both top rollers.

3. Install rollers.
4. Secure hinges with rivets.

NOTICE

If installing the bottom panel, the cables need to be installed.

Install any applicable hardware on panels.

Rollers

Removal

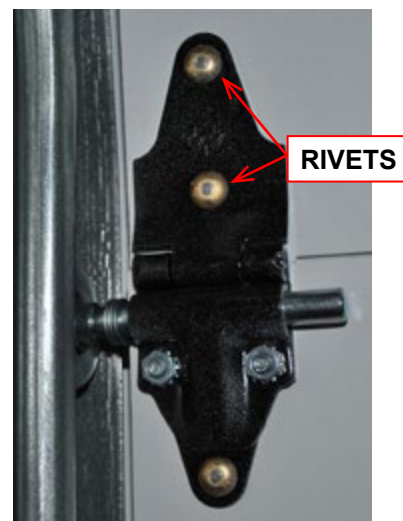
1. Open door.
2. Remove nuts that secure the roller retainer.
3. Remove roller from track and set aside.

Installation

1. Insert hinge or roller bracket into retainer.
2. Place roller into track.
3. Install the hinge or roller bracket and tighten the nuts.
4. Lubricate with a light oil (P/N 10997689).



Bottom roller bracket



Roller hinge

Seals

Brush Seal Removal

1. Open door.
2. Remove rivets.
3. Use a flat-blade screwdriver to pry apart the crimped extrusion.
4. Remove seal and discard.

Brush Seal Installation

1. Test fit brush seal and cut to proper length with bolt cutters.
2. Insert the brush seal into the extrusion end.
3. Crimp the extrusion.
4. Secure seal with rivets.

Top Seal Removal

1. Open door and clamp track to prevent door from moving.
2. Use a flat-blade screwdriver to pry apart the crimped extrusion and remove seal.

Top Seal Installation

1. Slide seal into extrusion.
2. Crimp the extrusion.

Threshold Seal Removal

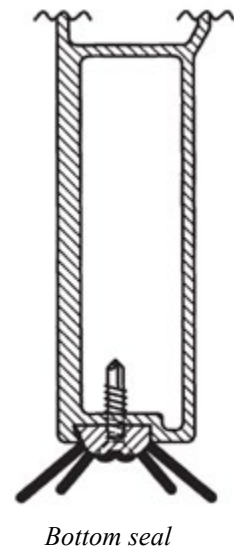
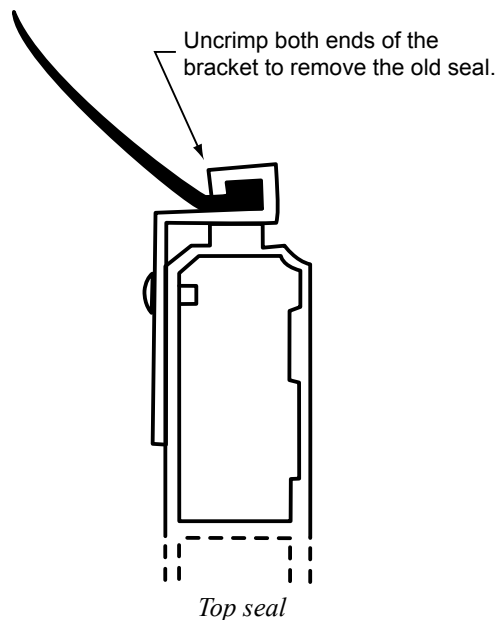
1. Open door and clamp track to prevent door from moving.
2. Remove the Phillips head screws from the threshold seal.
3. Remove seal and discard.

Threshold Seal Installation

1. Place the seal, angle edge first, into the extrusion and rotate into position.
2. Secure with #8 screws.



Brush seal



Spring

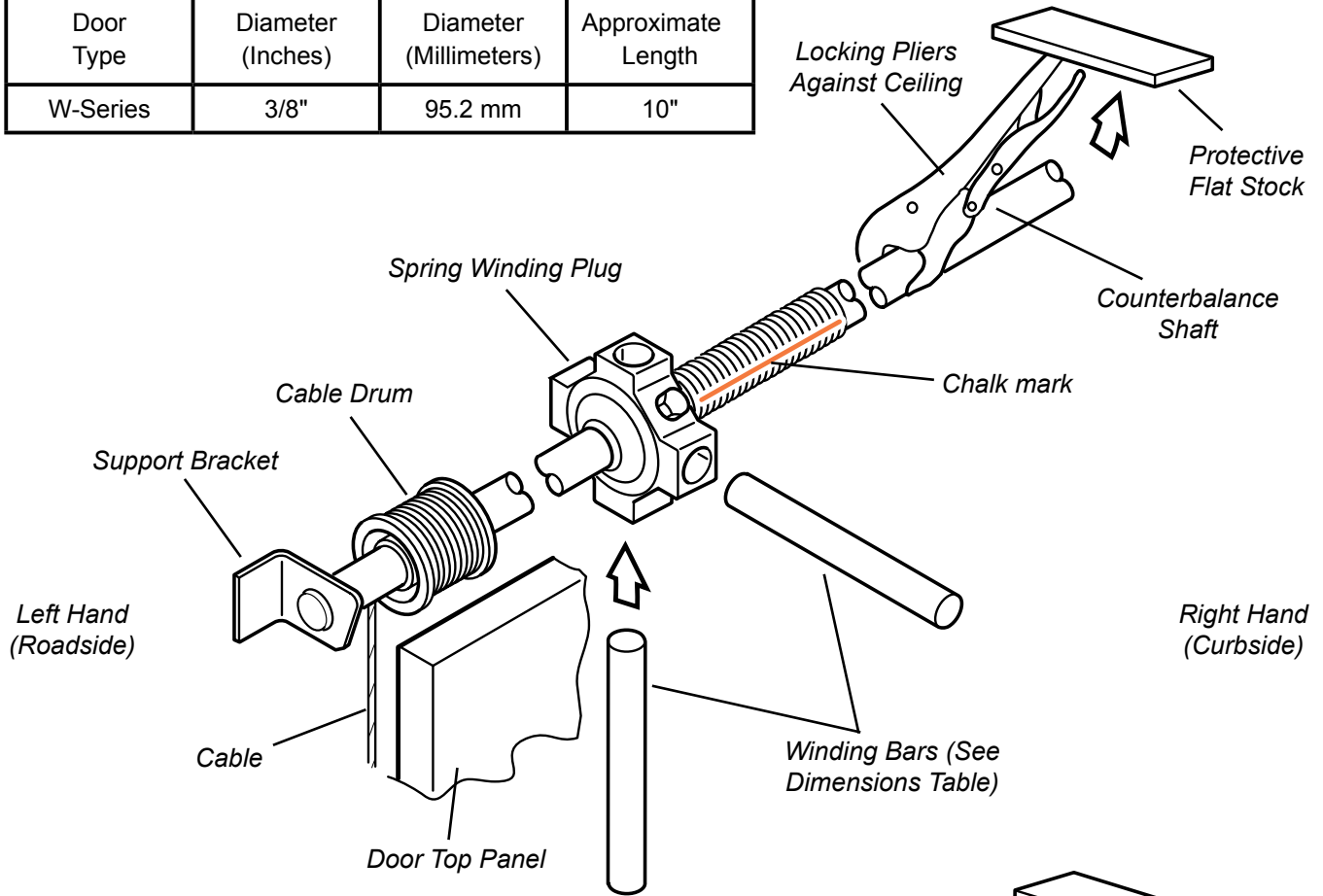
Adjustment

NOTICE

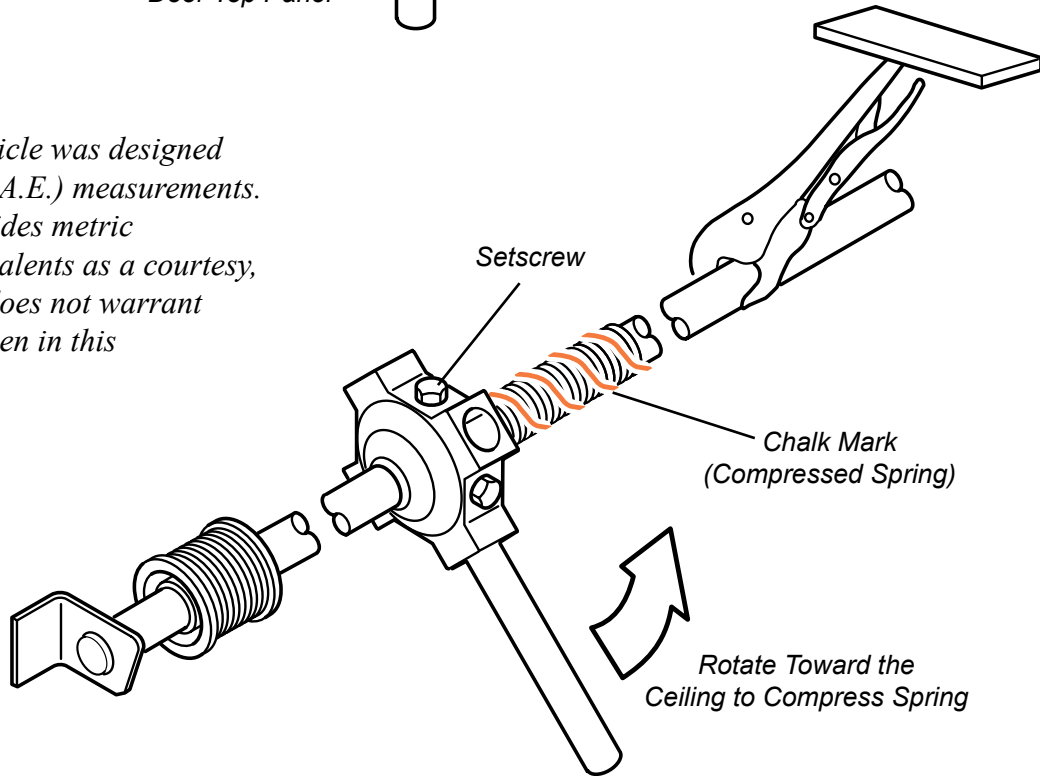
A properly counterbalanced door should remain in the same position when stopped. If the door leaves the floor by itself, the spring is wound too tightly, and a few quarter turns should be released. If the door tends to drop when stopped, a few more quarter turns should be added.

1. Close door and clamp counterbalance shaft from the inside with handle of locking pliers against the ceiling to keep cables tight. Protect the roof from the pliers with a piece of plywood or sheet metal.
2. Insert a winding bar that is 1/2" in diameter and 10" long into one of the spring-winding plug holes.
3. Loosen setscrews on spring-winding plug.
4. Insert a second winding bar into one of the spring-winding plug holes.
5. Raise the bar to allow insertion of second winding bar into next spring-winding plug. Continue to raise bar to wind spring, approximately 11 complete revolutions.
6. Tighten setscrews.
7. Remove locking pliers and winding bars.
8. Cycle door to check operation.
9. Adjust again if necessary.
10. Lubricate with a light oil (Utilimaster P/N 10997689).

| Winding Bar Dimensions | | | |
|------------------------|-------------------|------------------------|--------------------|
| Door Type | Diameter (Inches) | Diameter (Millimeters) | Approximate Length |
| W-Series | 3/8" | 95.2 mm | 10" |



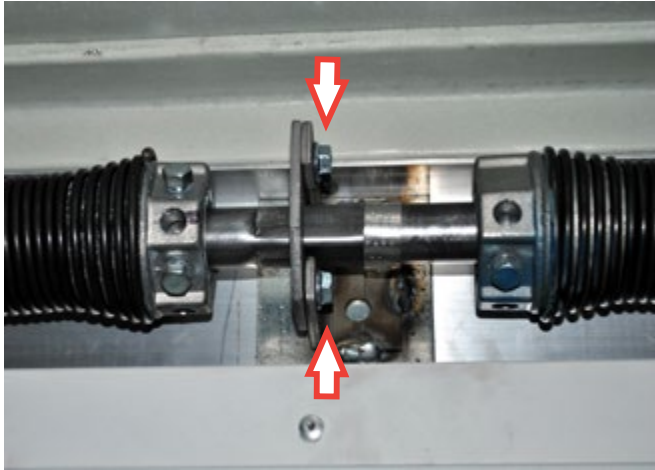
NOTE: This vehicle was designed using English (S.A.E.) measurements. Utilimaster provides metric conversion equivalents as a courtesy, but Utilimaster does not warrant metric values given in this manual.



Winding counterbalance spring

Removal

1. Remove cables.
2. Remove (2) bolts located on anchor brackets.
3. Remove spring and set aside.



Anchor bracket bolts

Installation

1. Place spring into anchor brackets and secure with (2) bolts, lock washers, and nuts.
2. Install cables.

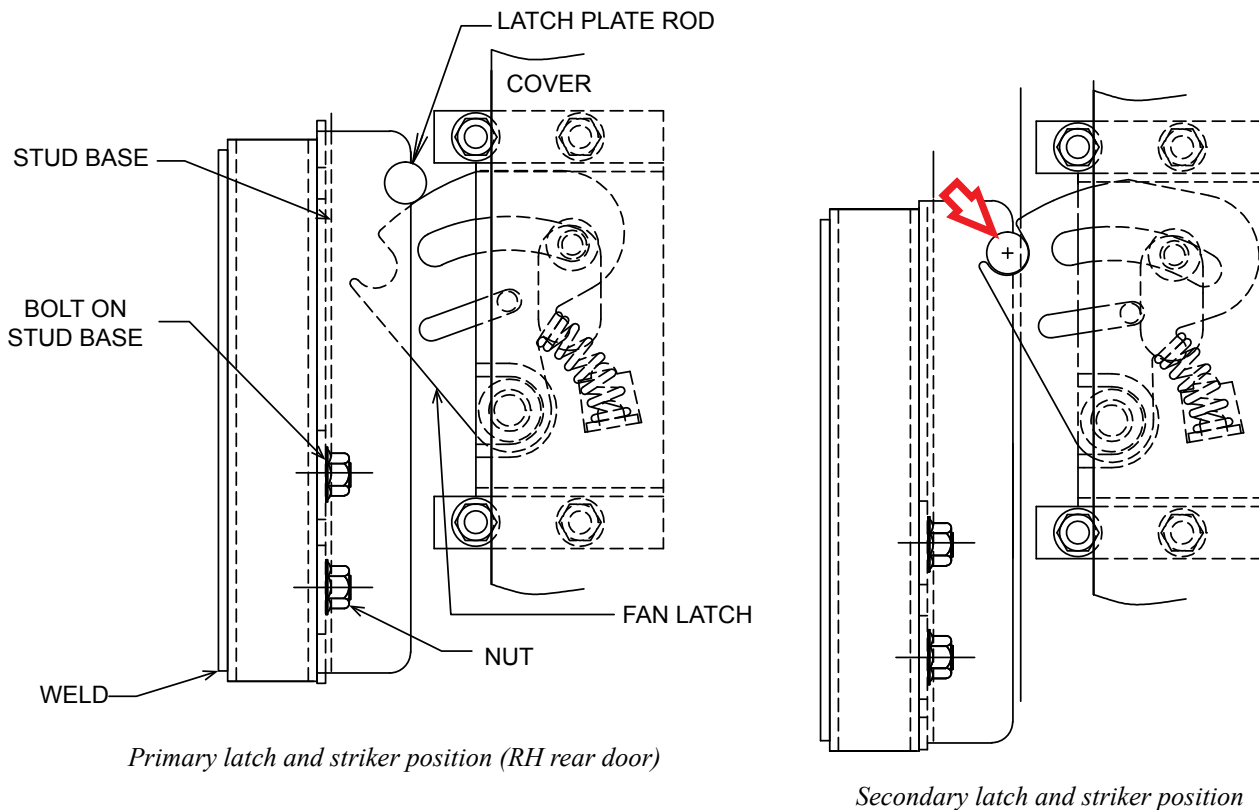
Rear Roll-up Door Slam Lock Adjustment

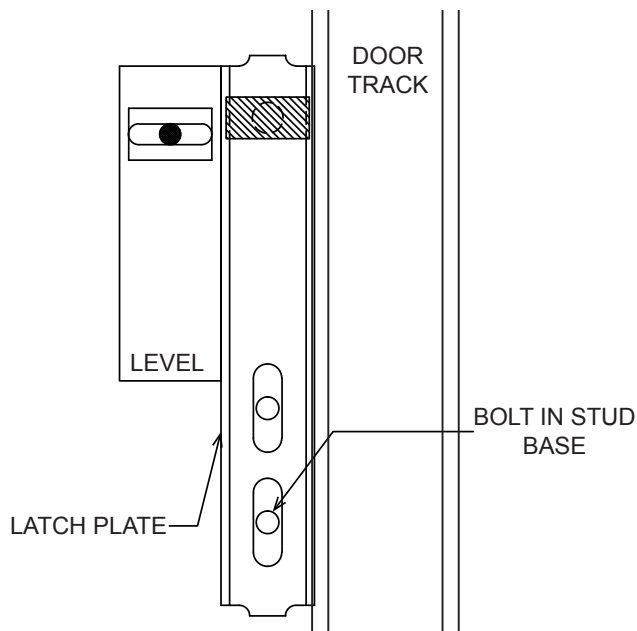
On rear roll-up doors with slam locks, adjust the latch if problems occur with the door latching or sealing.

NOTICE

Some doors may have a two-point fan-type latch with primary and secondary positions. Adjustment principles for both are similar.

1. Read and understand all the instructions before starting.
2. From inside the truck, close the door tightly, so it is sealed on the bottom.
3. A fan-type latch should consistently latch in the primary position, with the latch plate rod resting on the top of the fan of the latch assembly. If the latch is not properly adjusted, it might latch in the secondary position.
4. If necessary, use a socket wrench to loosen slightly the (2) nuts on the stud base bolts.





Square latch plate with latch (facing outboard)



One-position latch

5. Reposition the latch plate so that the latch plate fits snugly against the latch (primary position for a fan type).
6. Ensure that the latch plate is level and square with the latch and tighten the nuts.
7. After latches on both sides of the door are properly adjusted, cycle the door several times to check proper engagement (primary position). Check that the latching and unlatching is smooth and that the door seals at the bottom.

Utilimaster Customer Service

574-848-2200

Email: CustSvc@Utilimaster.com

Door Rear Roll-up, W-Series, July 2016

©Utilimaster Corp., 603 Earthway Boulevard, Bristol, Indiana 46507 USA