

Replace Keyed Door Handle Swing, Roll-up, and Sliding Doors

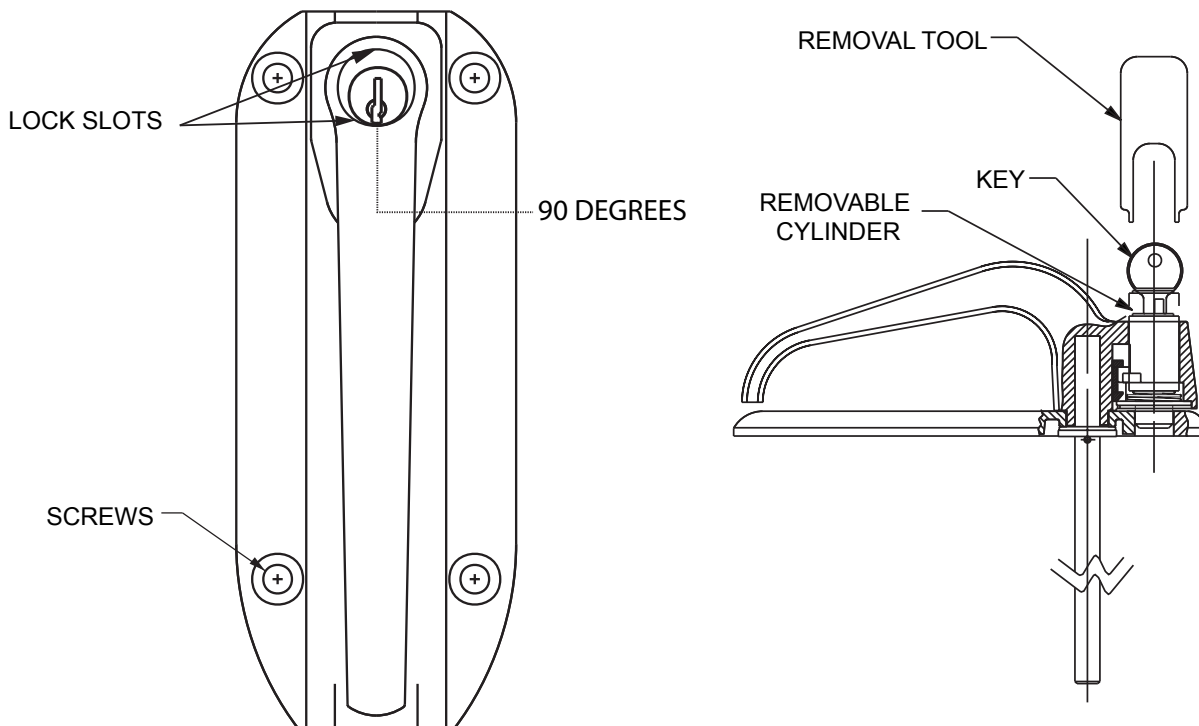
Removal



WARNING: Always wear safety glasses and other proper protective equipment (gloves, hearing protection) as appropriate to the process.

NOTE: Work with the door in the OPEN position.

1. Insert key into cylinder until the cylinder bottoms out in the handle.



Keyed cylinder removal overview

2. With the cylinder in the unlocked position turn key clockwise 90 degrees and hold in that position.
3. Insert the lockset removal tool (P/N 08611916) and rotate cylinder counterclockwise 90 degrees.
4. Release the removal tool and allow the cylinder to slide out and remove it from the handle.

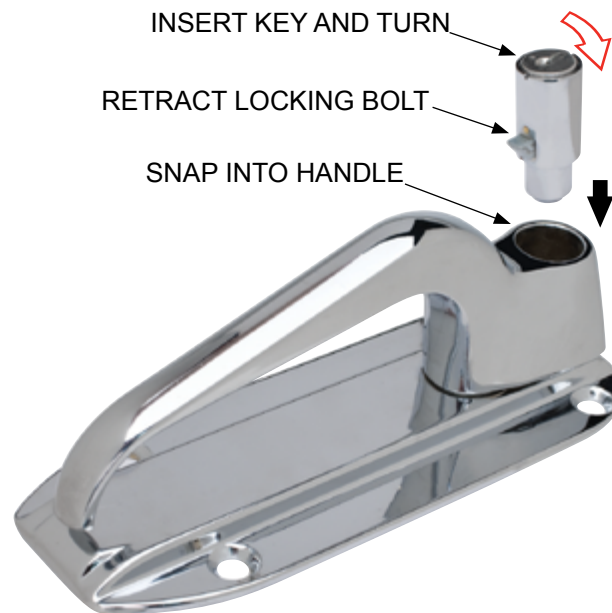
5. Hold door handle screws with a Phillips head screwdriver and remove nuts from the inside handle. Keep the fasteners for reinstallation.

Installation

1. Measure the shaft of the existing door handle.
2. Cut the new handle shaft to the same length. Remove any sharp edges or burrs.
3. Install the replacement handle onto the door using the existing fasteners. With the key inserted, turn key clockwise and hold the locking bolt flush with the body of the lock cylinder.
4. With the locking bolt depressed and pointed toward handle, insert the lock cylinder into the handle and push until the locking bolt snaps into the handle.



Remove and reuse the existing lockset



Lockset installation overview

Utilimaster Customer Service

574-848-2200

Email: Parts@Utilimaster.com

Replace Keyed Handle, August 2015

©Utilimaster Corp., 603 Earthway Boulevard, Bristol, Indiana 46507 USA