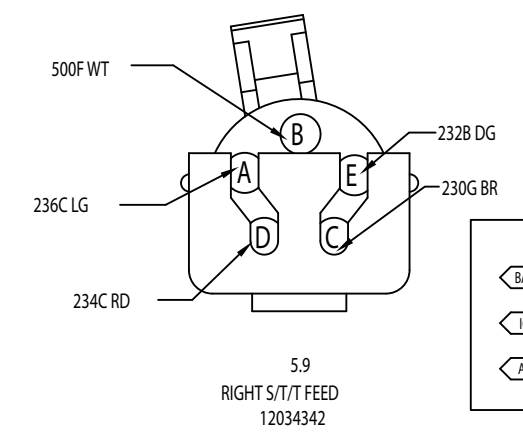
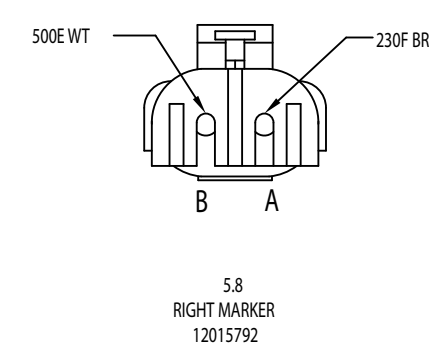
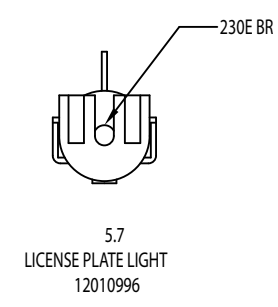
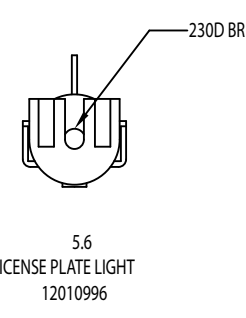
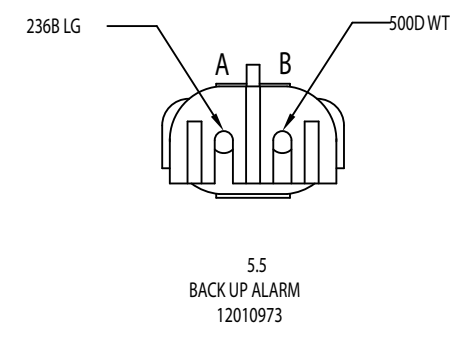
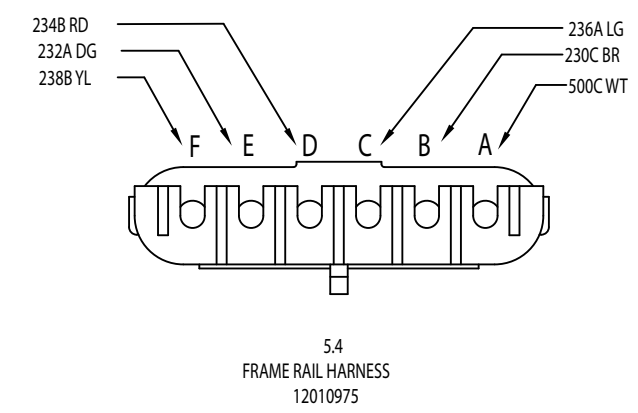
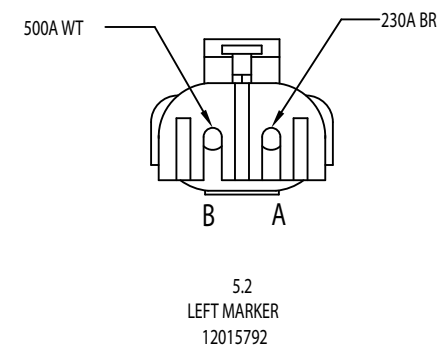
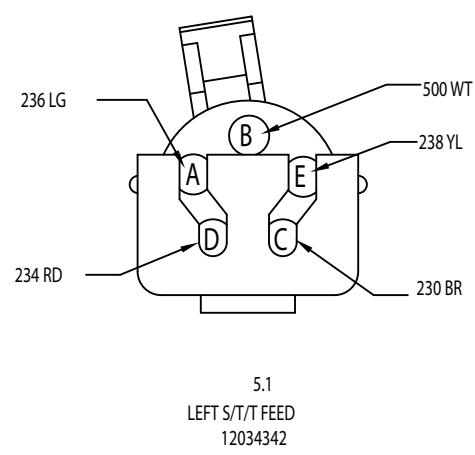
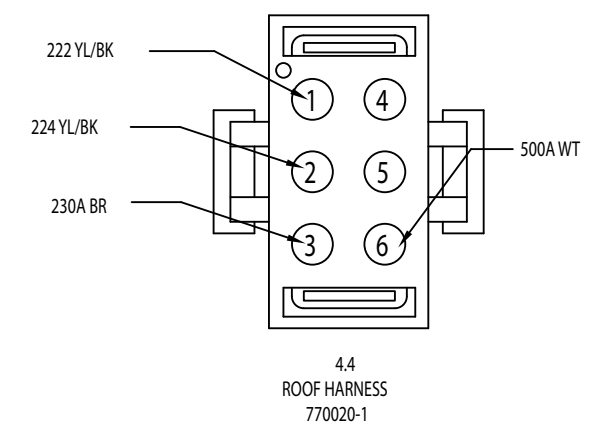
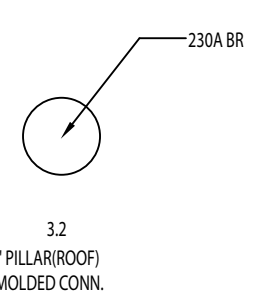
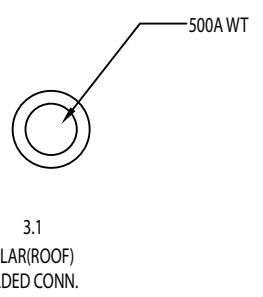
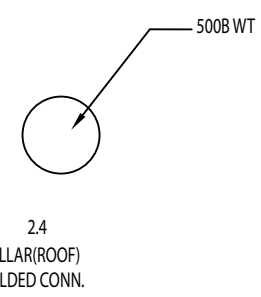
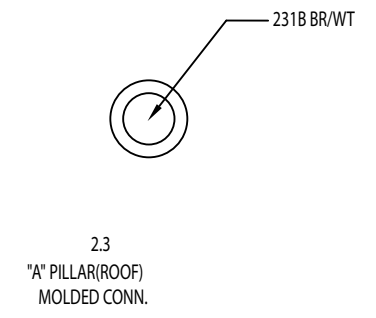
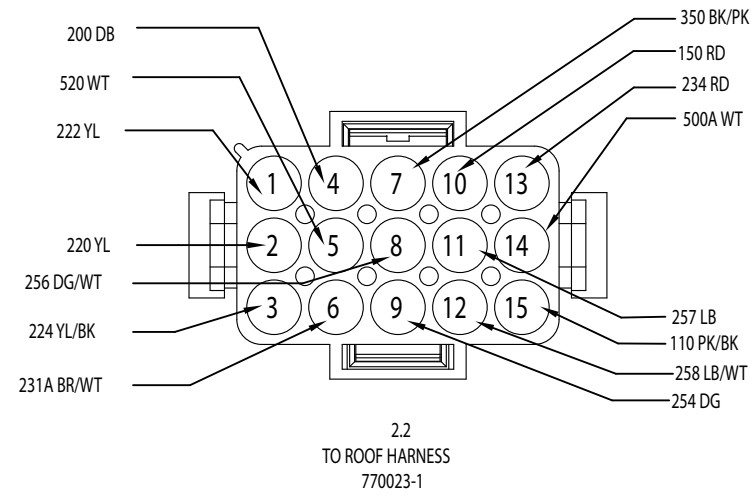
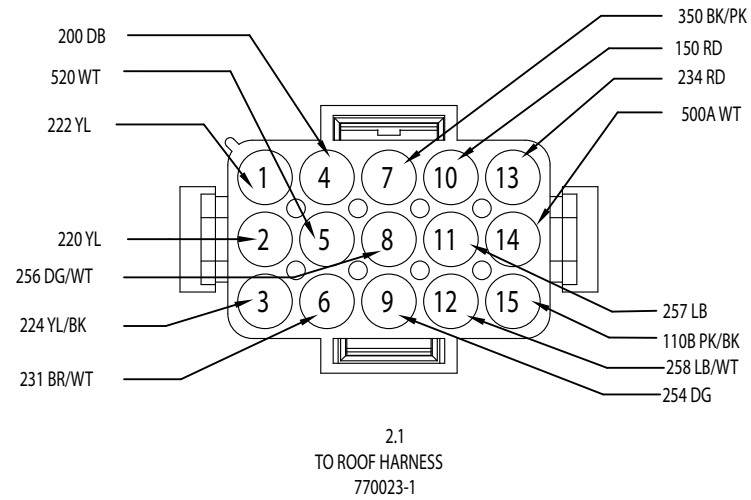
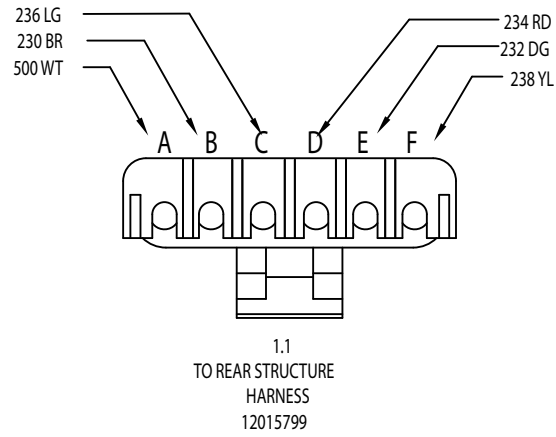


CONNECTOR VIEW



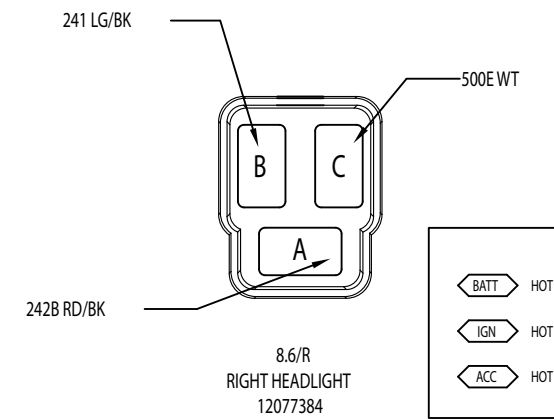
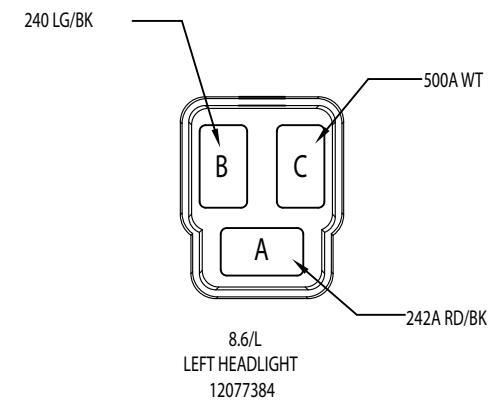
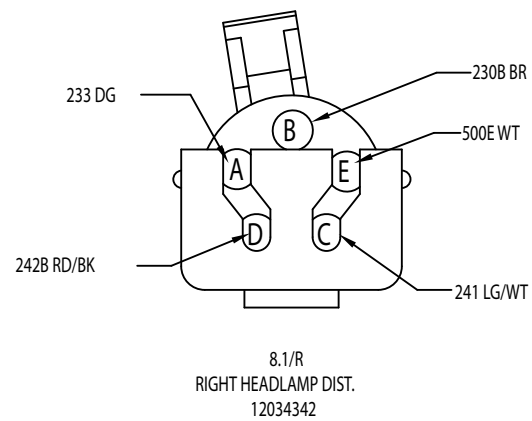
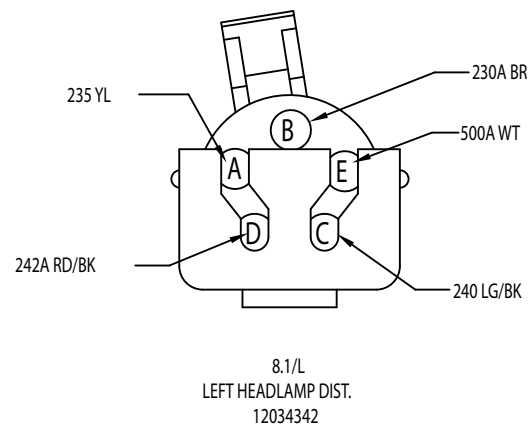
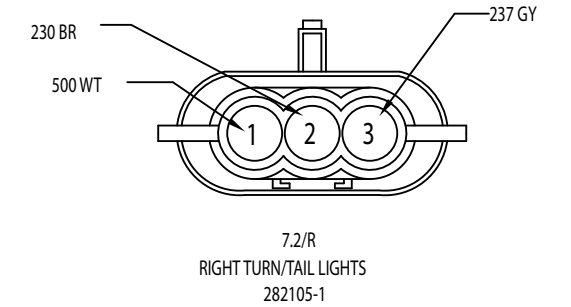
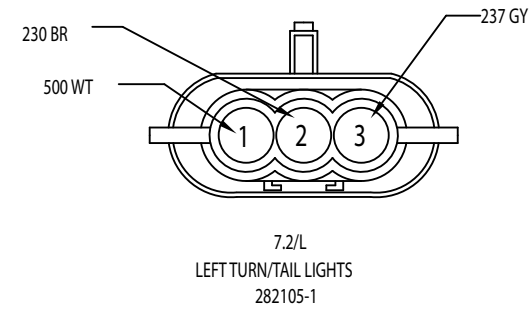
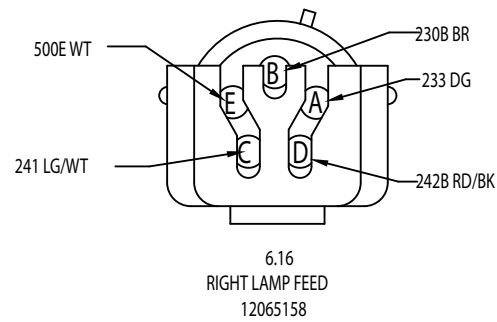
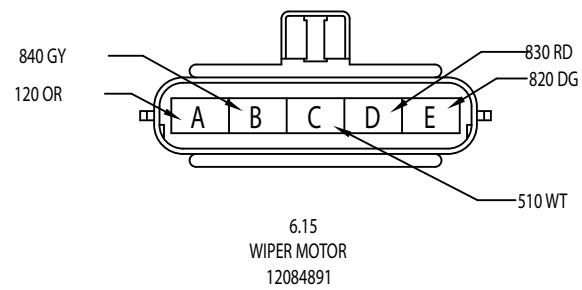
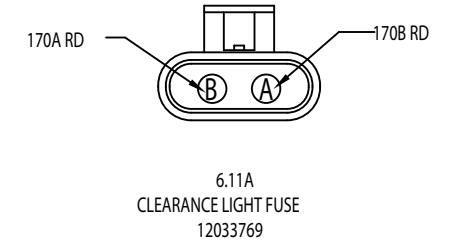
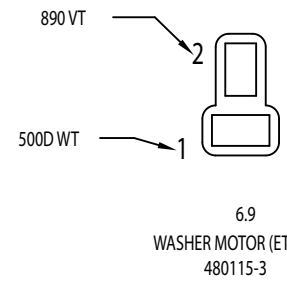
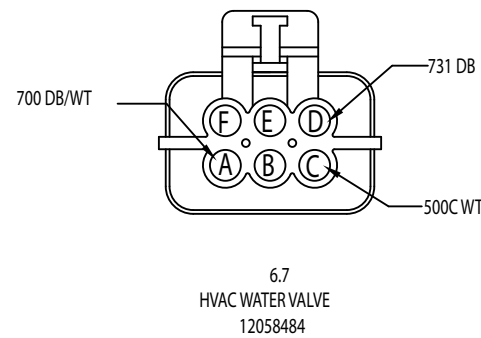
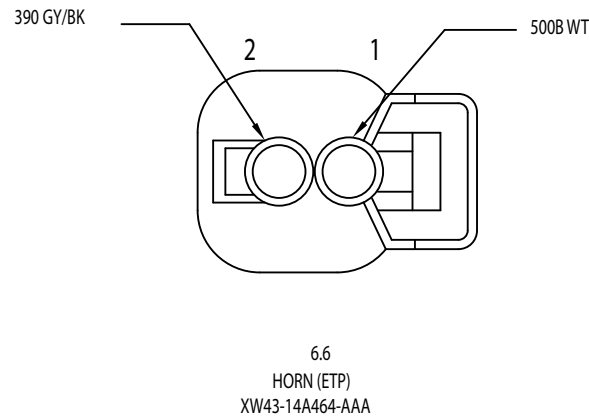
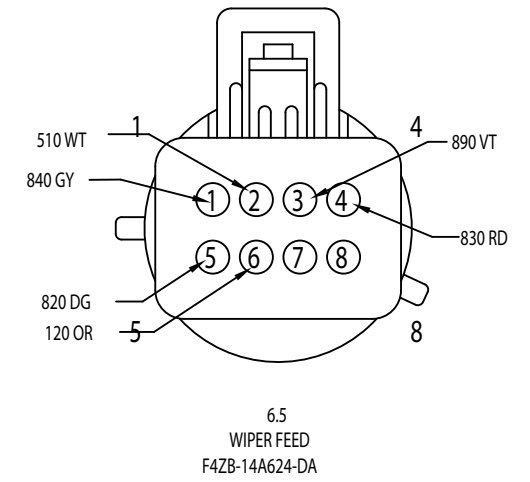
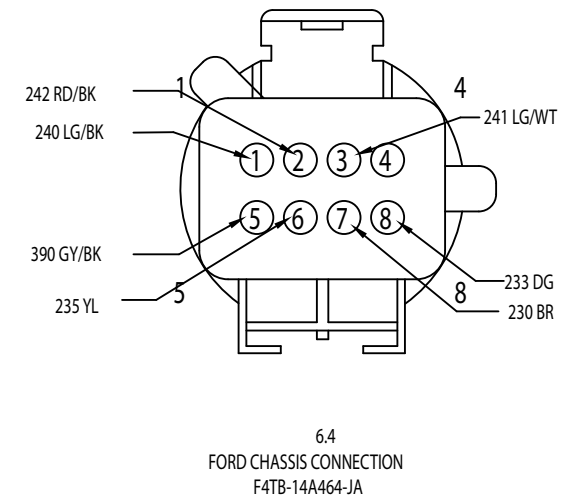
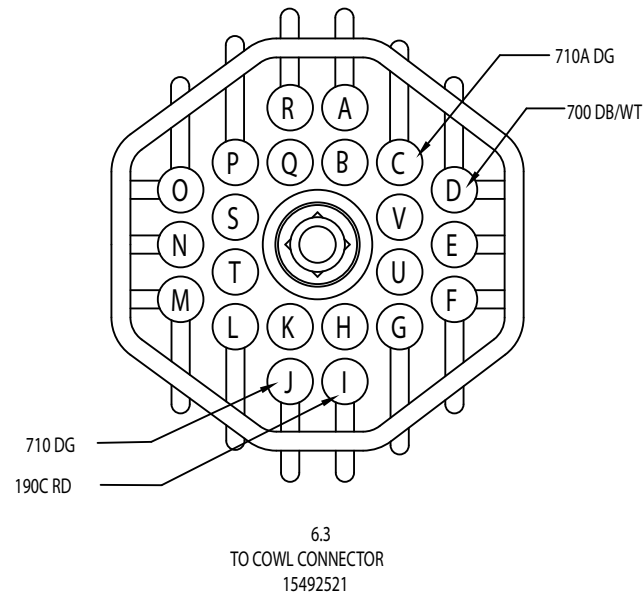
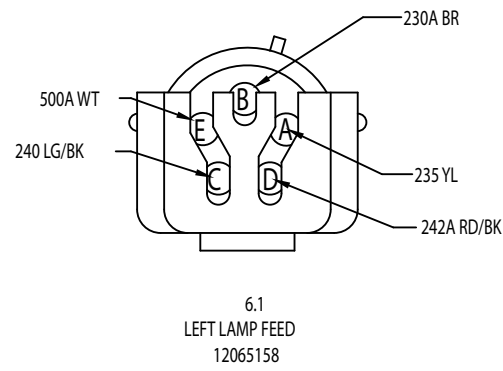
LEGEND	
[Symbol]	BATT HOT AT ALL TIMES
[Symbol]	IGN HOT IN RUN OR START
[Symbol]	ACC HOT IN ACC OR RUN

PAGE 3 OF 12

<p>RELEASE FOR PRODUCTION</p>					515140					ENGINEER	DRAWN BY	Spartan Motors USA, Inc. 603 Earthway Blvd Bristol, N 46507	TITLE
<p>REVISIONS</p>					AUTH	DATE	BY	CHECKED BY	APPROVED BY	RLC	JYD	CAGE CODE	58232647
										RLC	02/08/17	DWG NUMBER	A

THE INFORMATION CONTAINED IN THIS DRAWING IS THE SOLE PROPERTY OF SPARTAN MOTORS USA, INC. ANY REPRODUCTION IN PART OR AS A WHOLE WITHOUT THE WRITTEN PERMISSION OF SPARTAN MOTORS IS PROHIBITED. DOCUMENT IS ELECTRONICALLY CONTROLLED. VERIFY REV PRIOR TO USE.

CONNECTOR VIEW



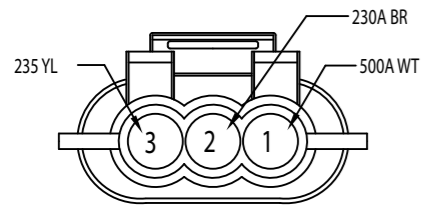
LEGEND	
	HOT AT ALL TIMES
	HOT IN RUN OR START
	HOT IN ACC OR RUN

PAGE 4 OF 12

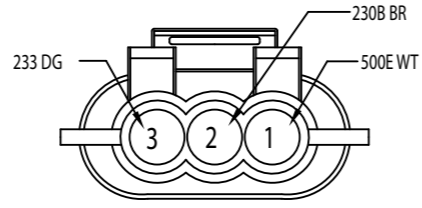
<p>RELEASE FOR PRODUCTION</p>				515140				ENGINEER	DRAWN BY	Spartan Motors USA, Inc. 603 Earthway Blvd Bristol, N 46507	TITLE	SCHEMATIC
REV.	REVISIONS			AUTH	DATE	BY	CHECKED BY	APPROVED BY	DATE	CAGE CODE	DWG. NUMBER	FORD F59 KINGS
A				RLC			RLC		02/08/17	36MV0	58232647	A

THE INFORMATION CONTAINED IN THIS DRAWING IS THE SOLE PROPERTY OF SPARTAN MOTORS USA, INC. ANY REPRODUCTION IN PART OR AS A WHOLE WITHOUT THE WRITTEN PERMISSION OF SPARTAN MOTORS IS PROHIBITED. DOCUMENT IS ELECTRONICALLY CONTROLLED. VERIFY REV PRIOR TO USE.

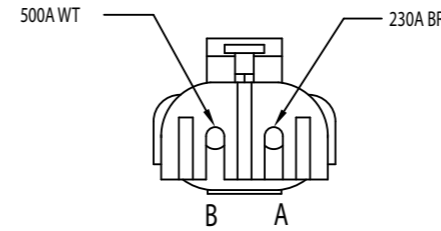
CONNECTOR VIEW



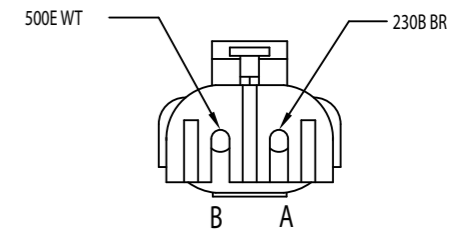
8.8/L
LEFT TURN/MARKER LIGHT
282087-1



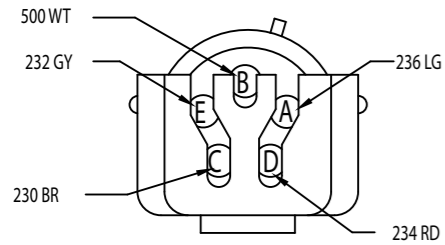
8.8/R
RIGHT TURN/MARKER LIGHT
282087-1



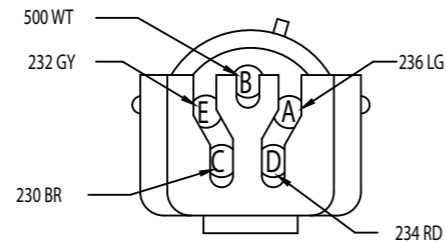
8.9/L
LEFT SIDE MARKER LIGHT
12015792



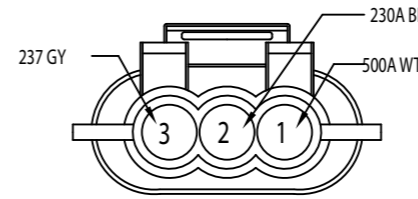
8.9/R
RIGHT SIDE MARKER LIGHT
12015792



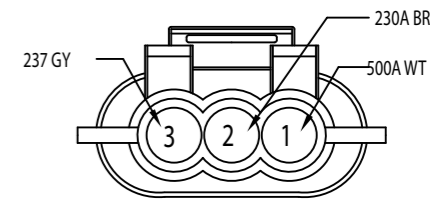
9.1/L
LEFT S/T/T DIST.
12065158



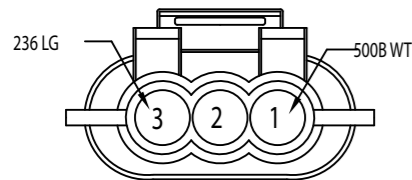
9.1/R
RIGHT S/T/T DIST.
12065158



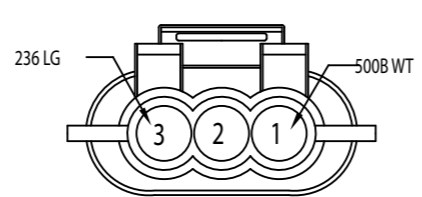
9.2/L
LEFT STOP/TAIL
282087-1



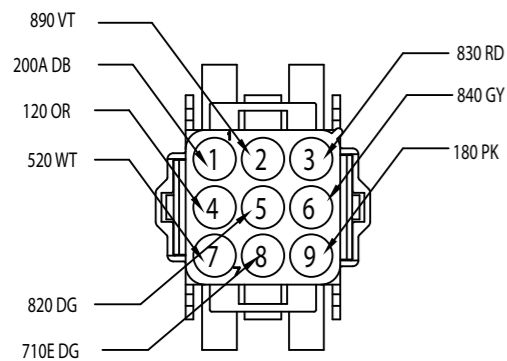
9.2/R
RIGHT STOP/TAIL
282087-1



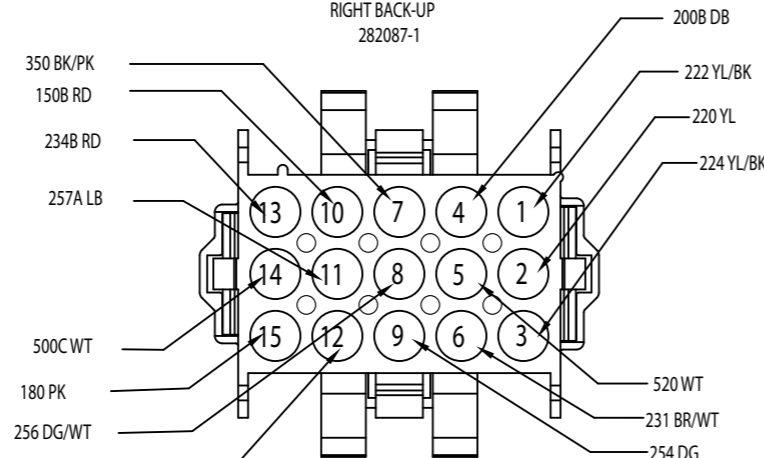
9.3/L
LEFT BACK-UP
282087-1



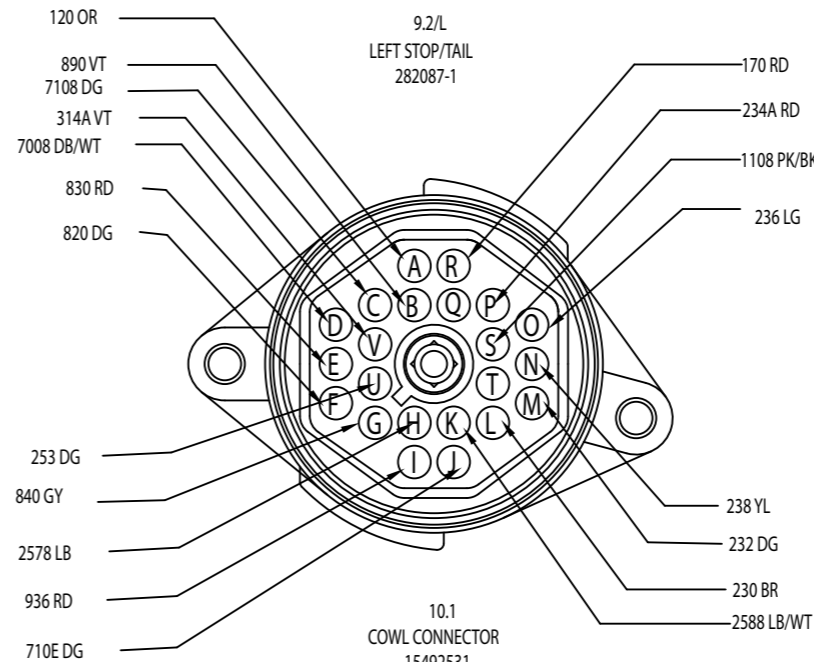
9.3/R
RIGHT BACK-UP
282087-1



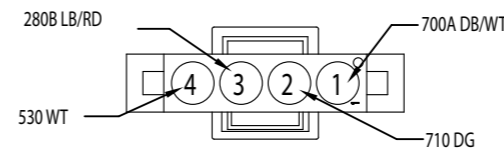
10.3
CHASSIS POWER FEED
770028-1



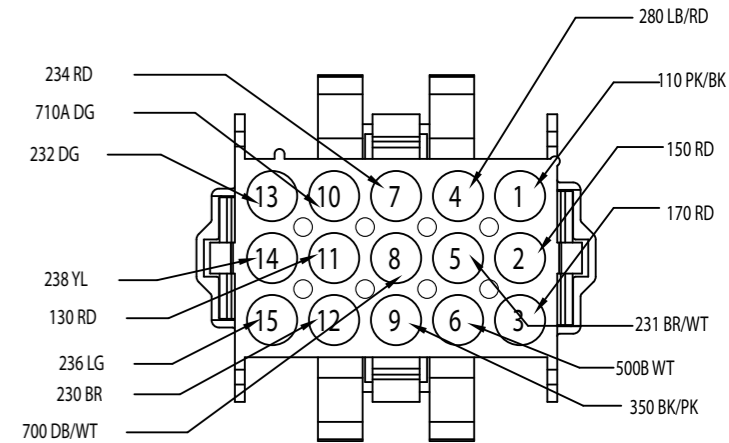
10.4
"A" PILLAR STANDARD TO 16400487
770030-1



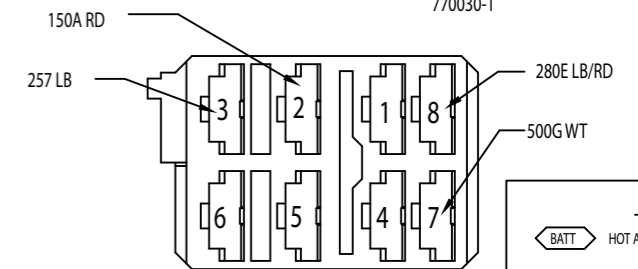
10.1
COWL CONNECTOR
15492531



10.5
HVAC CONTROL TO SCS HARN
770019-1



10.2
CHASSIS POWER FEED
770030-1



10.7
HEATED MIR SW (ETP)
999-16716-001

LEGEND	
[Symbol]	BATT HOT AT ALL TIMES
[Symbol]	IGN HOT IN RUN OR START
[Symbol]	ACC HOT IN ACC OR RUN

REV.	DESCRIPTION	AUTH	DATE	BY	CHECKED BY	APPROVED BY
A	RELEASE FOR PRODUCTION	515140				RLC

ENGINEER	---
DRAWN BY	JYD
CHECKED BY	RLC
DATE	02/08/17

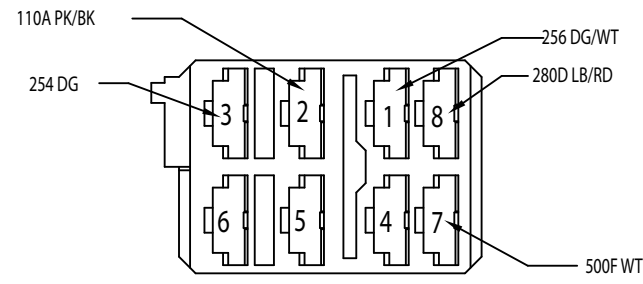
Spartan Motors USA, Inc.
603 Earthway Blvd
Bristol, N 46507

THE INFORMATION CONTAINED IN THIS DRAWING IS THE SOLE PROPERTY OF SPARTAN MOTORS USA, INC. ANY REPRODUCTION IN PART OR AS A WHOLE WITHOUT THE WRITTEN PERMISSION OF SPARTAN MOTORS IS PROHIBITED.

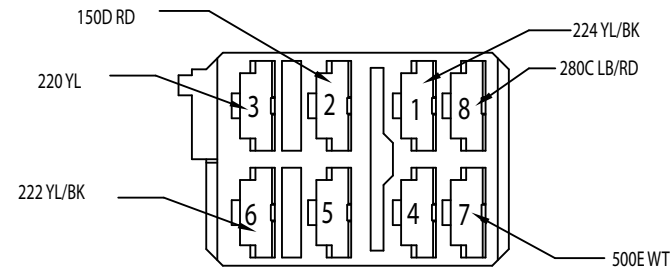
DOCUMENT IS ELECTRONICALLY CONTROLLED. VERIFY REV PRIOR TO USE.

TITLE	SCHEMATIC FORD F59 KINGS	
CAGE CODE	36MVO	DWG. NUMBER
		58232647

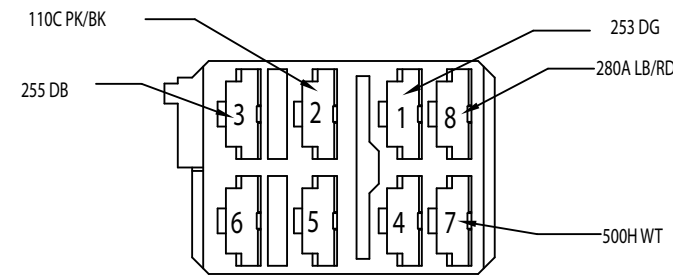
CONNECTOR VIEW



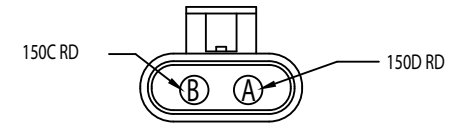
10.8
AUX FAN SWITCH (ETP)
999-16716-001



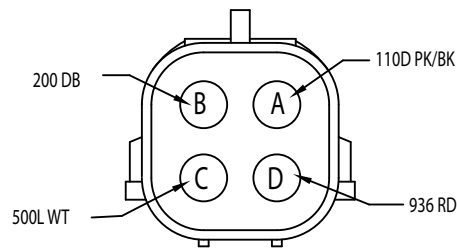
10.9
CARGO LIGHT SWITCH (ETP)
999-16716-001



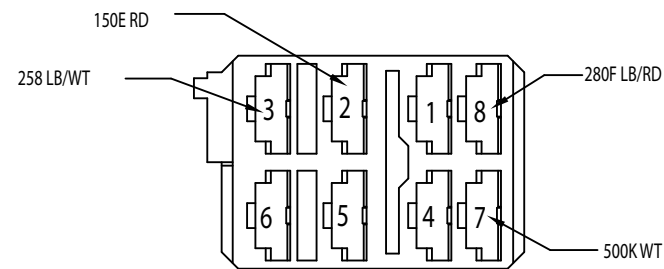
10.11
AUX SWITCH (ETP)
999-16716-001



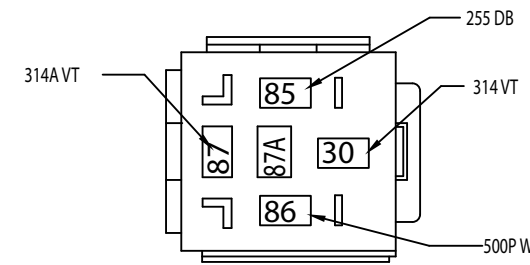
10.13
CARGO LT FUSE
12033769



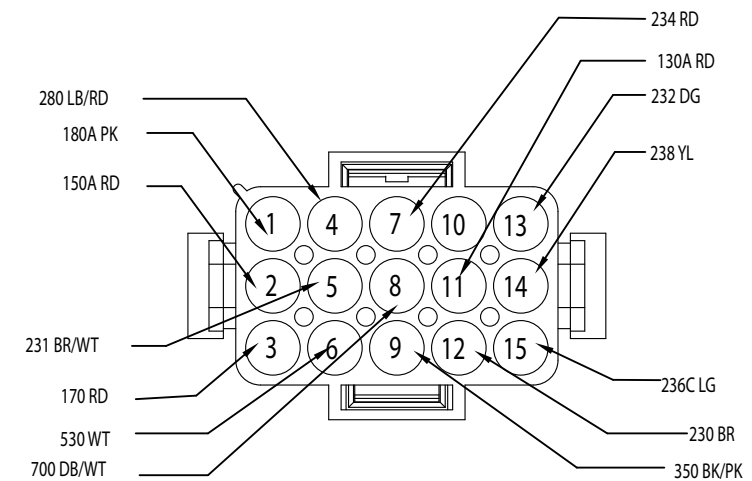
10.14
KEYLESS POWER
12015024



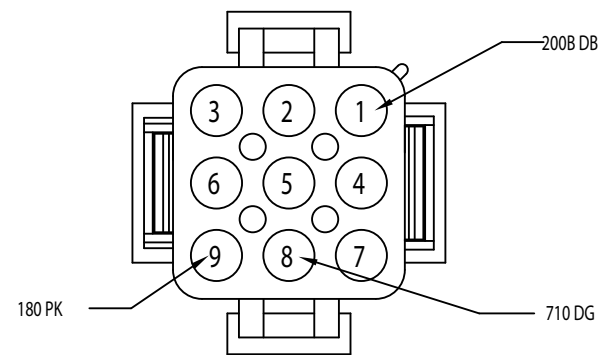
10.27
CARGO LIGHT SWITCH (ETP)
999-16716-001



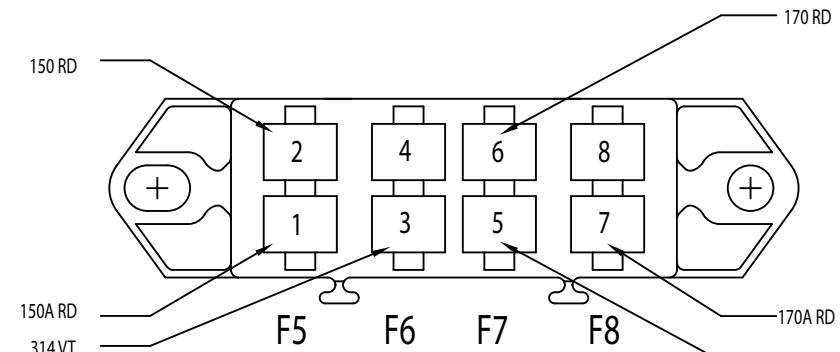
10.28
AUX HEATER RELAY
12033871



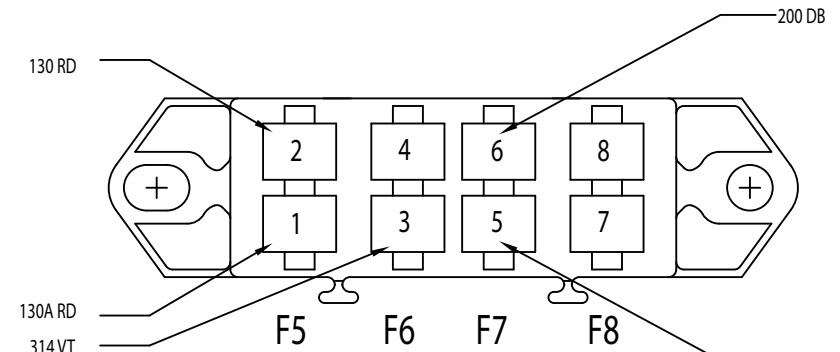
11.1
TO DASH HARNESS A
770023-1



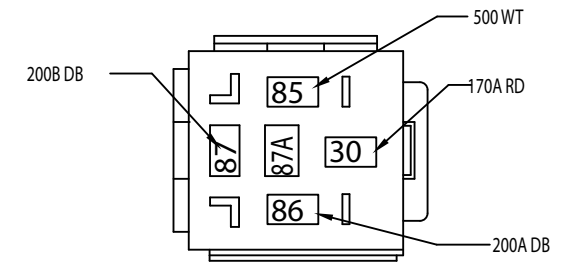
11.2
POWER FEED
770021-1



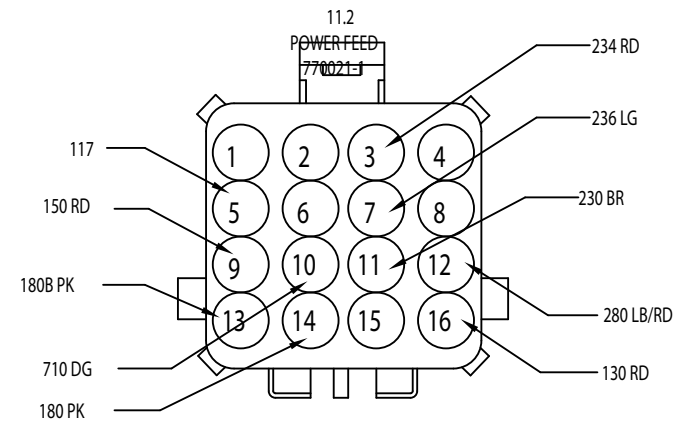
11.8
FUSE PANEL 1
12004943



11.9
FUSE PANEL 2
12004943

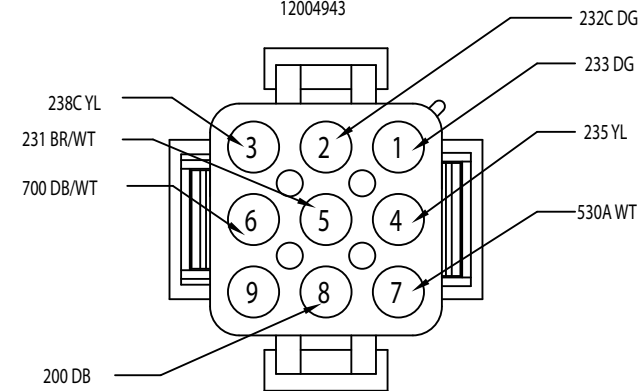


11.10
DOME LIGHT RELAY
12033871

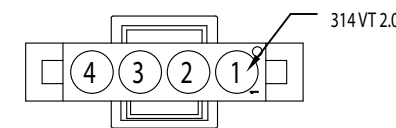


11.11

FORD C211 INTERFACE (ETP)
F2AB-14A464-AA



11.12
TO PIG TAIL FOR FORD BLUNT CUT WIRES
770021-1



11.14
TO DASH HARNESS B
770019-1

LEGEND	
	HOT AT ALL TIMES
	HOT IN RUN OR START
	HOT IN ACC OR RUN

PAGE 6 OF 12

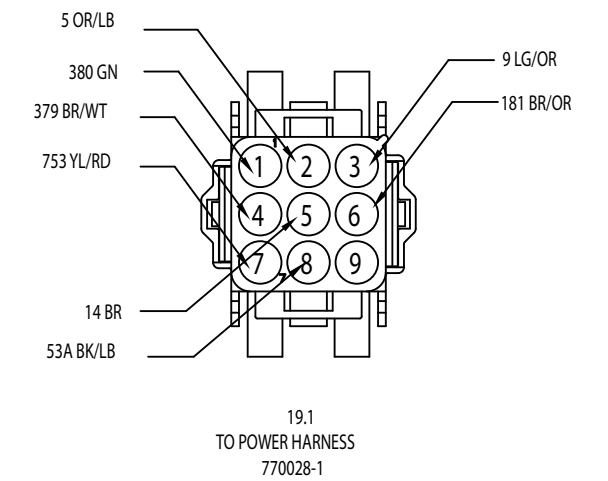
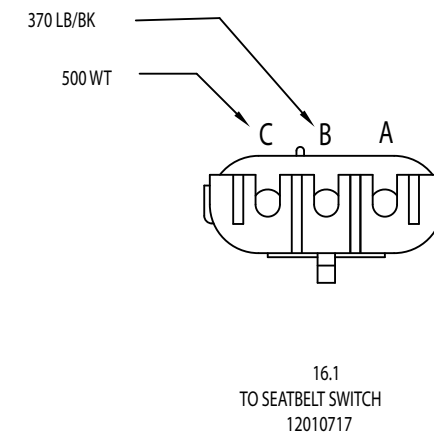
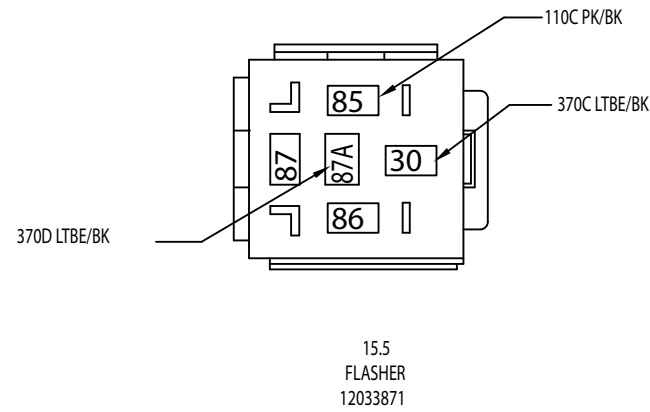
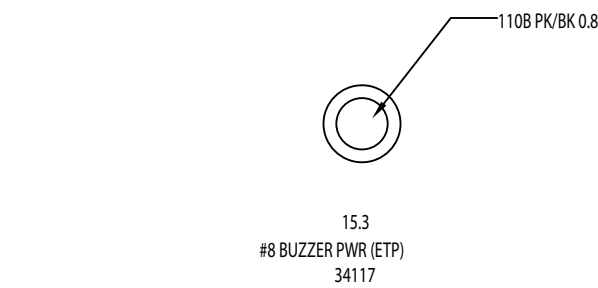
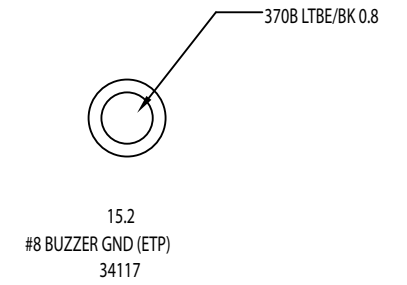
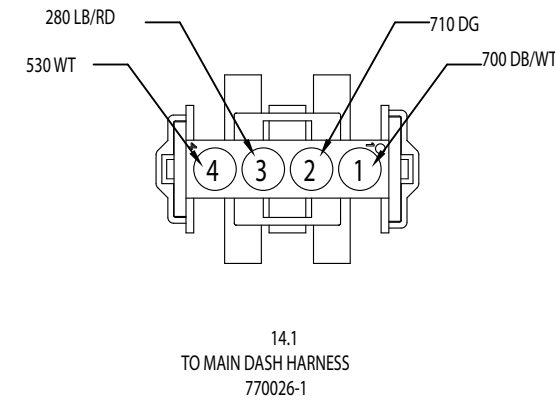
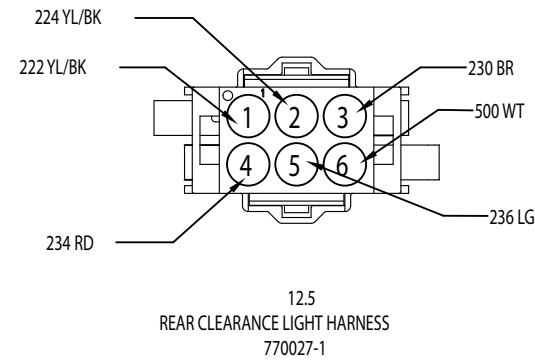
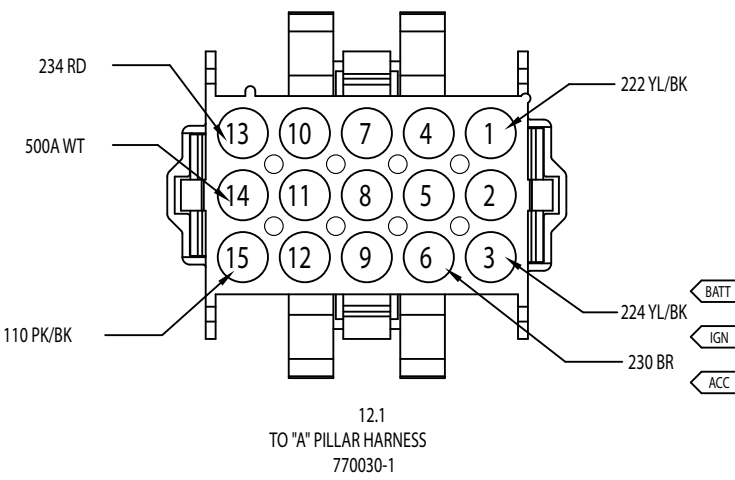
REV.	REVISIONS	AUTH	DATE	BY	CHECKED BY	APPROVED BY
A	RELEASE FOR PRODUCTION	515140			RLC	RLC

ENGINEER	DRAWN BY	CHECKED BY	DATE
	JYD	RLC	02/08/17

Spartan Motors USA, Inc. 603 Earthway Blvd Bristol, N 46507	TITLE	CAGE CODE	DWG NUMBER
	SCHEMATIC FORD F59 KINGS	36MV0	58232647

DOCUMENT IS ELECTRONICALLY CONTROLLED. VERIFY REV PRIOR TO USE.	
---	--

CONNECTOR VIEW



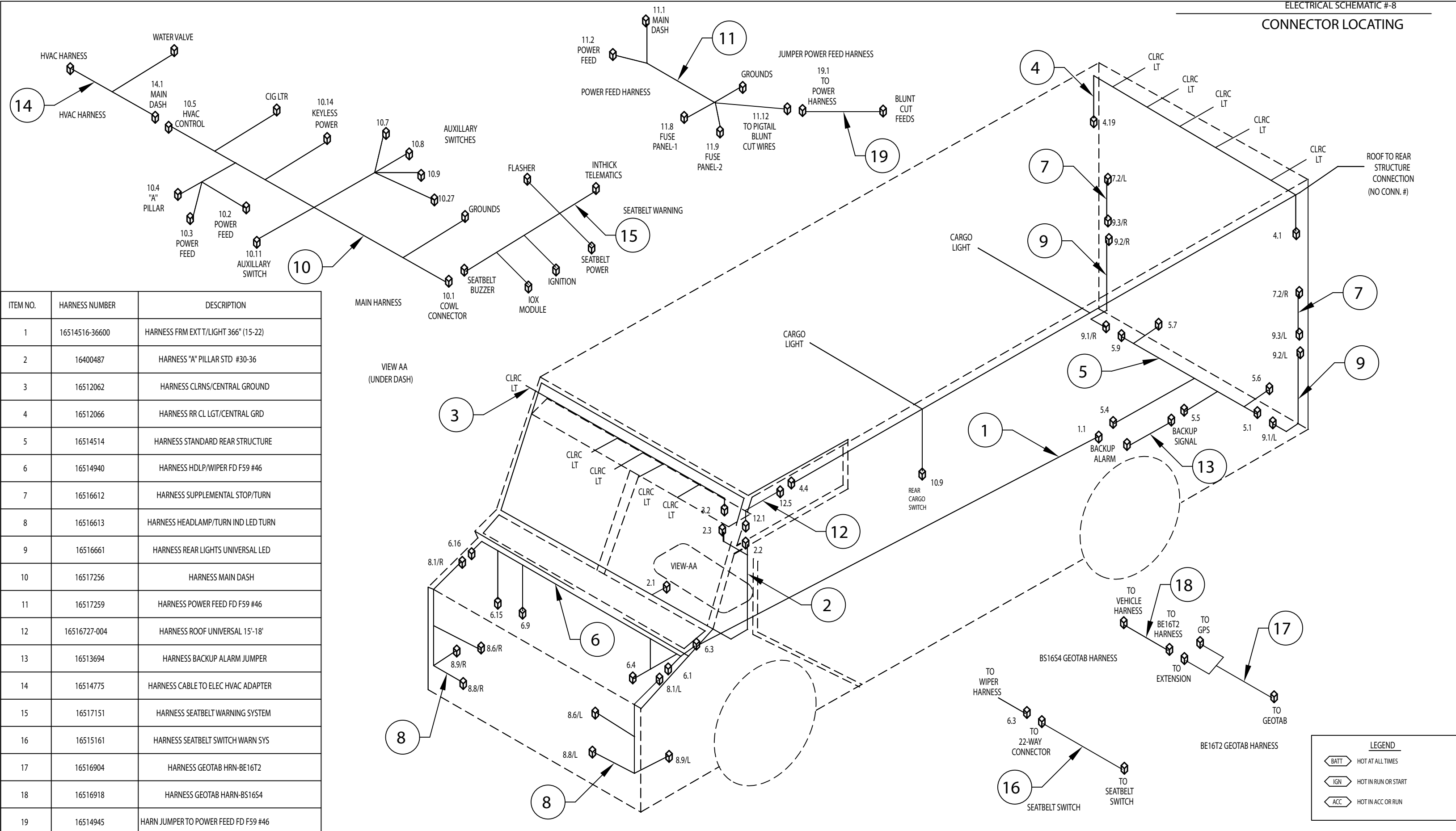
LEGEND

BATT	HOT AT ALL TIMES
IGN	HOT IN RUN OR START
ACC	HOT IN ACC OR RUN

PAGE 7 OF 12

ENGINEER	DRAWN BY	Spartan Motors USA, Inc. 603 Earthway Blvd Bristol, N 46507	TITLE	SCHEMATIC FORD F59 KINGS
CHECKED BY	DATE	CAGE CODE	DWG. NUMBER	
RLC	02/08/17	36MV0	58232647	A
AUTH: 515140 DATE: [] BY: [] CHECKED BY: [] APPROVED BY: []		THE INFORMATION CONTAINED IN THIS DRAWING IS THE SOLE PROPERTY OF SPARTAN MOTORS USA, INC. ANY REPRODUCTION IN PART OR AS A WHOLE WITHOUT THE WRITTEN PERMISSION OF SPARTAN MOTORS IS PROHIBITED. DOCUMENT IS ELECTRONICALLY CONTROLLED. VERIFY REV PRIOR TO USE.		
REVISIONS RELEASE FOR PRODUCTION				

CONNECTOR LOCATING

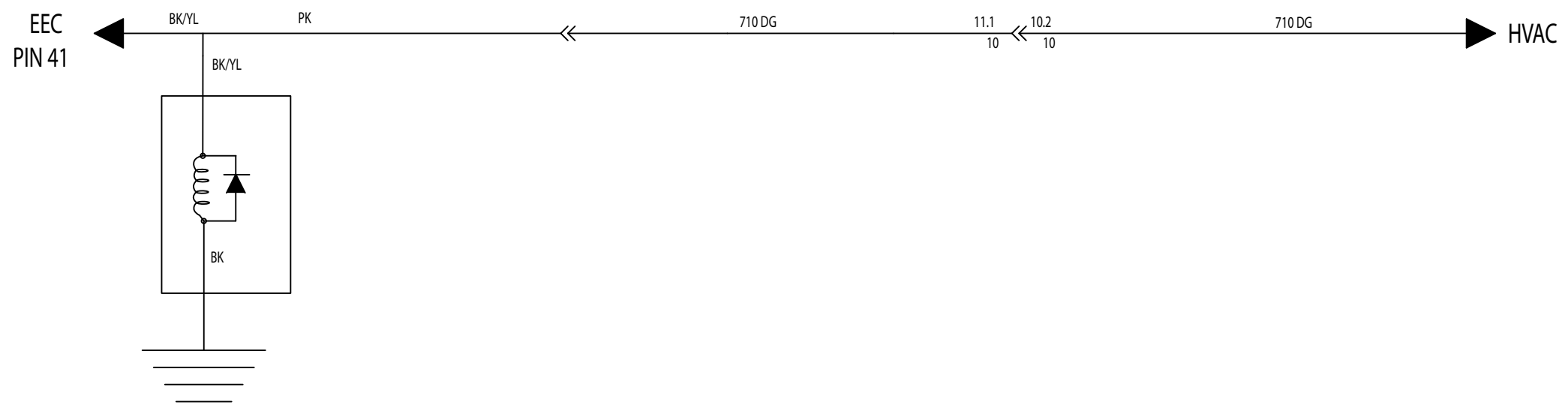
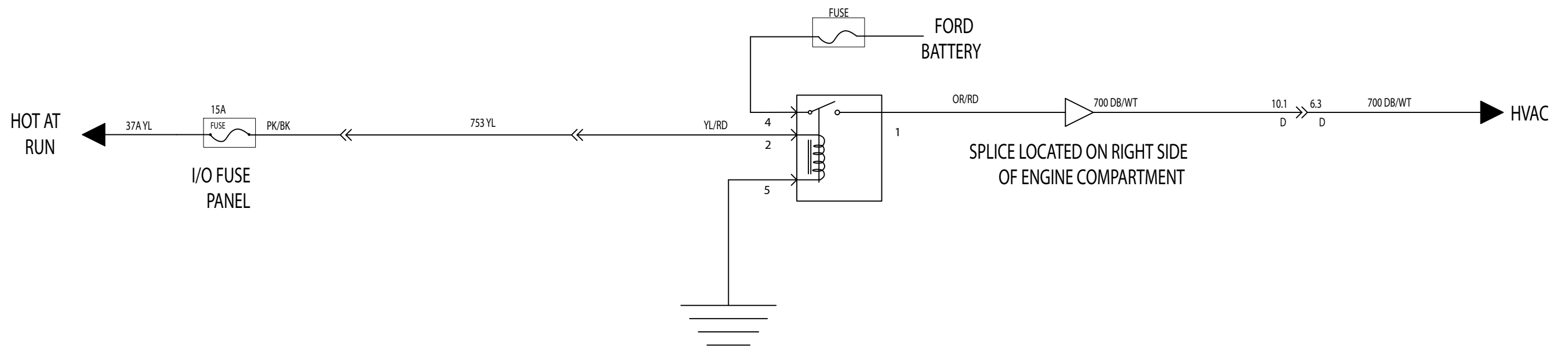


ITEM NO.	HARNESS NUMBER	DESCRIPTION
1	16514516-36600	HARNESS FRM EXT T/LIGHT 366" (15-22)
2	16400487	HARNESS "A" PILLAR STD #30-36
3	16512062	HARNESS CLRNS/CENTRAL GROUND
4	16512066	HARNESS RR CL LGT/CENTRAL GRD
5	16514514	HARNESS STANDARD REAR STRUCTURE
6	16514940	HARNESS HDLP/WIPER FD F59 #46
7	16516612	HARNESS SUPPLEMENTAL STOP/TURN
8	16516613	HARNESS HEADLAMP/TURN IND LED TURN
9	16516661	HARNESS REAR LIGHTS UNIVERSAL LED
10	16517256	HARNESS MAIN DASH
11	16517259	HARNESS POWER FEED FD F59 #46
12	16516727-004	HARNESS ROOF UNIVERSAL 15'-18'
13	16513694	HARNESS BACKUP ALARM JUMPER
14	16514775	HARNESS CABLE TO ELEC HVAC ADAPTER
15	16517151	HARNESS SEATBELT WARNING SYSTEM
16	16515161	HARNESS SEATBELT SWITCH WARN SYS
17	16516904	HARNESS GEOTAB HRN-BE16T2
18	16516918	HARNESS GEOTAB HARN-BS16S4
19	16514945	HARN JUMPER TO POWER FEED FD F59 #46

PAGE 8 OF 12

<p>RELEASE FOR PRODUCTION</p>					515140					ENGINEER	DRAWN BY	Spartan Motors USA, Inc. 603 Earthway Blvd Bristol, N 46507	<p>SCHEMATIC FORD F59 KINGS</p>
					AUTH	DATE	BY	CHECKED BY	APPROVED BY	RLC	JYD		
REVISIONS										36MV0		58232647	

THE INFORMATION CONTAINED IN THIS DRAWING IS THE SOLE PROPERTY OF SPARTAN MOTORS USA, INC. ANY REPRODUCTION IN PART OR AS A WHOLE WITHOUT THE WRITTEN PERMISSION OF SPARTAN MOTORS USA, INC. IS PROHIBITED. DOCUMENT IS ELECTRONICALLY CONTROLLED. VERIFY REV PRIOR TO USE.

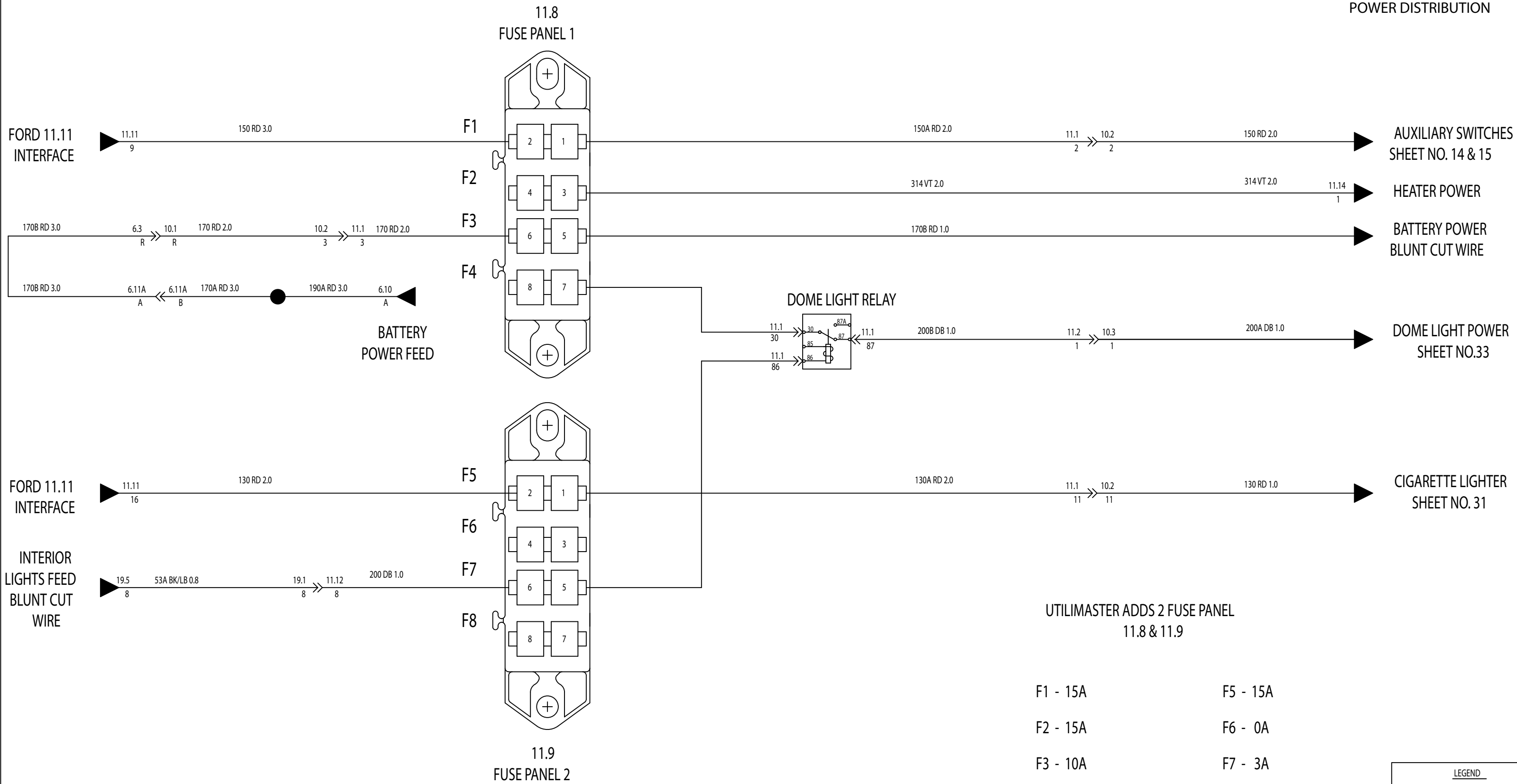


LEGEND	
	HOT AT ALL TIMES
	HOT IN RUN OR START
	HOT IN ACC OR RUN

PAGE 9 OF 12

RELEASE FOR PRODUCTION				515140					ENGINEER	DRAWN BY	Spartan Motors USA, Inc. 603 Earthway Blvd Bristol, N 46507	TITLE
REVISIONS				AUTH	DATE	BY	CHECKED BY	APPROVED BY	RLC	JYD		SCHEMATIC FORD F59 KINGS
									CHECKED BY	DATE	CAGE CODE	DWG NUMBER
									RLC	02/08/17	36MV0	58232647
<small>THE INFORMATION CONTAINED IN THIS DRAWING IS THE SOLE PROPERTY OF SPARTAN MOTORS USA, INC. ANY REPRODUCTION IN PART OR AS A WHOLE WITHOUT THE WRITTEN PERMISSION OF SPARTAN MOTORS USA, INC. IS PROHIBITED. DOCUMENT IS ELECTRONICALLY CONTROLLED. VERIFY REV PRIOR TO USE.</small>												

POWER DISTRIBUTION

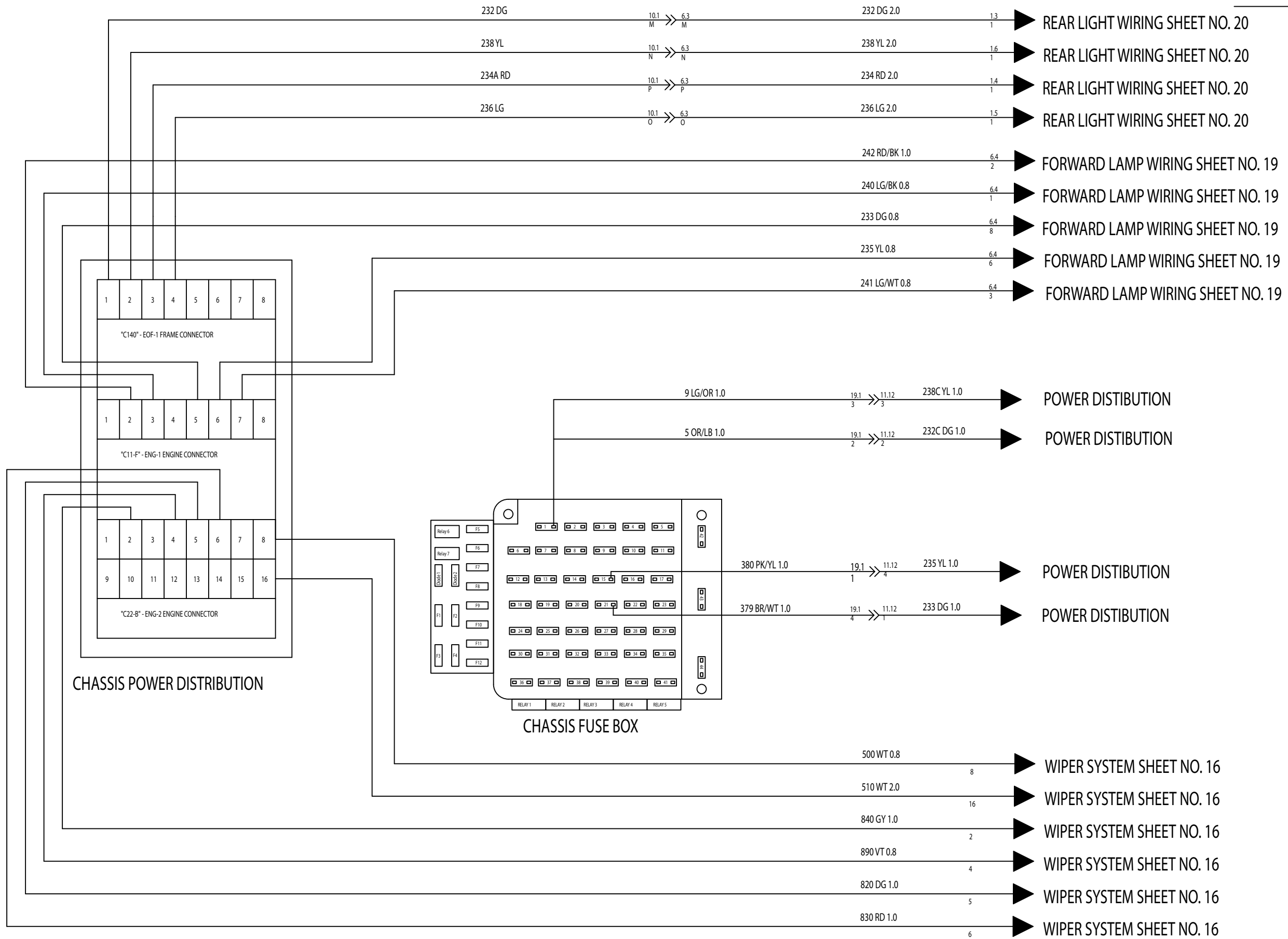


UTILIMASTER ADDS 2 FUSE PANEL
11.8 & 11.9

- F1 - 15A
- F2 - 15A
- F3 - 10A
- F4 - 10A
- F5 - 15A
- F6 - 0A
- F7 - 3A
- F8 - 0A

LEGEND	
	HOT AT ALL TIMES
	HOT IN RUN OR START
	HOT IN ACC OR RUN

POWER DISTRIBUTION



LEGEND

BATT	HOT AT ALL TIMES
IGN	HOT IN RUN OR START
ACC	HOT IN ACC OR RUN

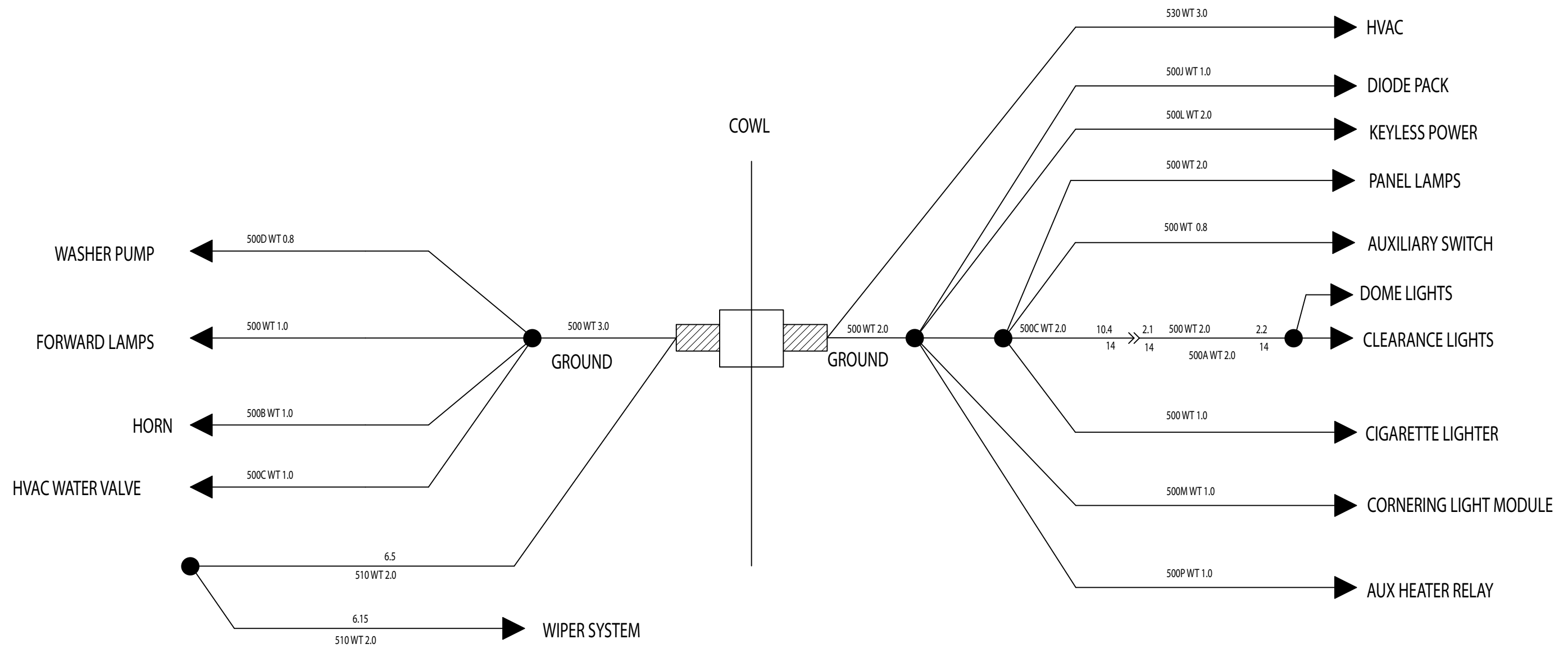
PAGE 11 OF 12

REV. A	RELEASE FOR PRODUCTION	515140	DATE	BY	CHECKED BY	APPROVED BY
	REVISIONS	AUTH				

ENGINEER	DRAWN BY	ENGINEER	DRAWN BY
---	JYD	---	JYD
CHECKED BY	DATE	CHECKED BY	DATE
RLC	02/08/17	RLC	02/08/17

THE INFORMATION CONTAINED IN THIS DRAWING IS THE SOLE PROPERTY OF SPARTAN MOTORS USA, INC. ANY REPRODUCTION IN PART OR AS A WHOLE WITHOUT THE WRITTEN PERMISSION OF SPARTAN MOTORS IS PROHIBITED. DOCUMENT IS ELECTRONICALLY CONTROLLED. VERIFY REV PRIOR TO USE.

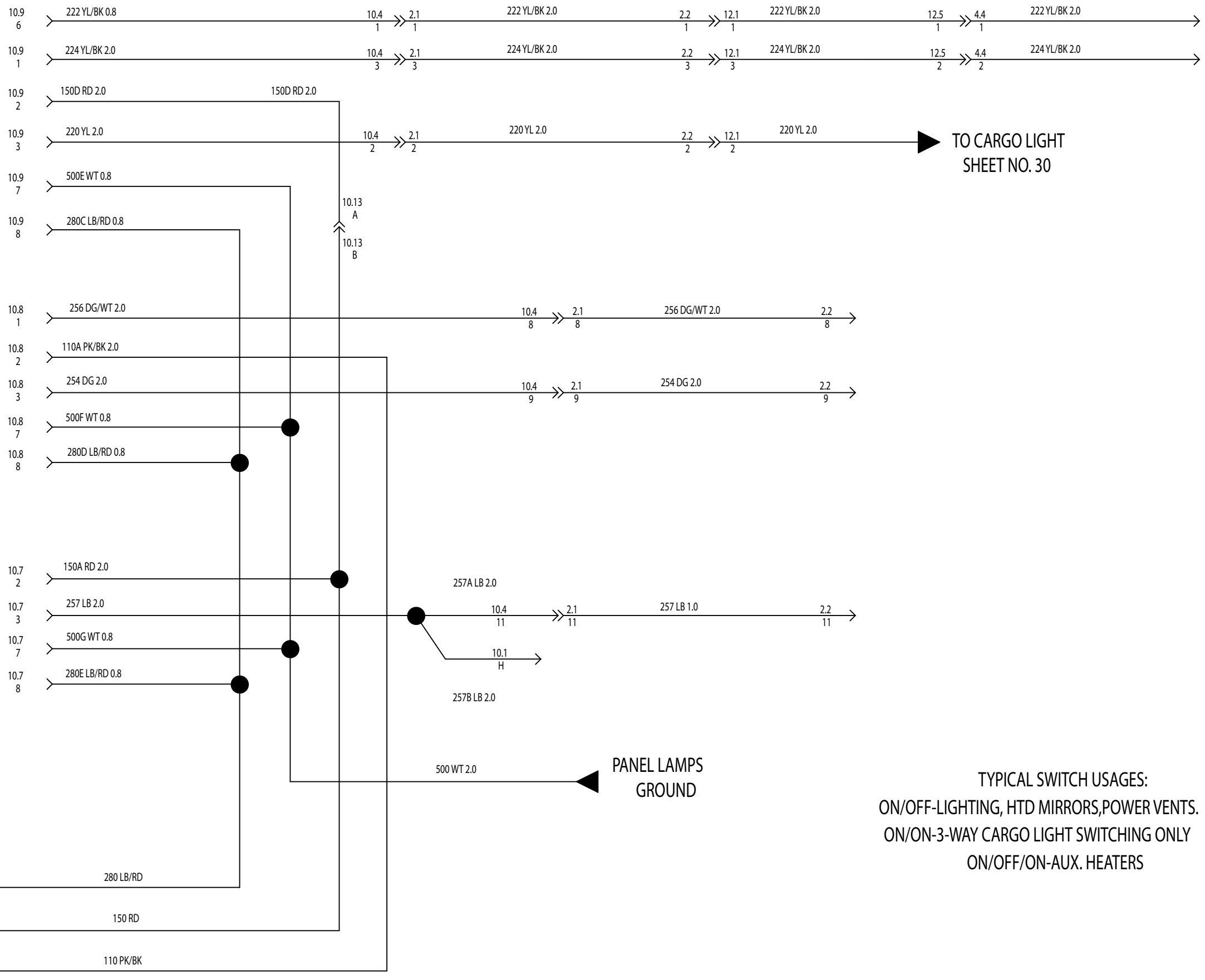
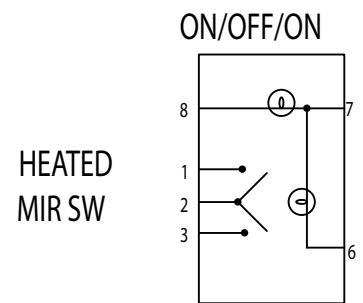
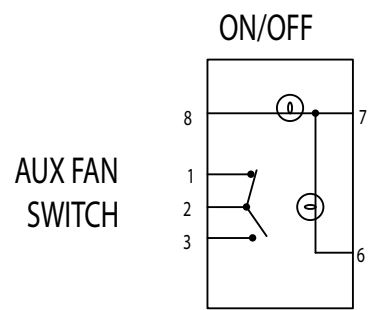
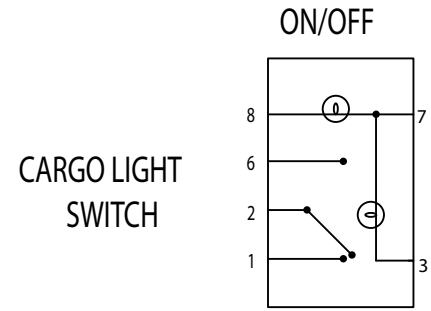
Spartan Motors USA, Inc. 603 Earthway Blvd Bristol, N 46507	TITLE	SCHEMATIC FORD F59 KINGS
CAGE CODE	DWG. NUMBER	
36MV0	58232647	A



LEGEND

BATT	HOT AT ALL TIMES
IGN	HOT IN RUN OR START
ACC	HOT IN ACC OR RUN

PAGE 12 OF 12	REVISIONS	AUTH	DATE	BY	CHECKED BY	APPROVED BY	ENGINEER	DRAWN BY	Spartan Motors USA, Inc. 603 Earthway Blvd Bristol, N 46507	TITLE
	RELEASE FOR PRODUCTION	515140			RLC	RLC		JYD		SCHEMATIC FORD F59 KINGS
								02/08/17	CAGE CODE	DWG NUMBER
									36MV0	58232647



SWITCHES SHOWN ARE VISUAL
FUNCTIONAL REASONS ONLY. THEY ARE
NOT NECESSARILY MATCHED TO THE
CONNECTOR # SHOWN

TYPICAL SWITCH USAGES:
ON/OFF-LIGHTING, HTD MIRRORS, POWER VENTS.
ON/ON-3-WAY CARGO LIGHT SWITCHING ONLY
ON/OFF/ON-AUX. HEATERS

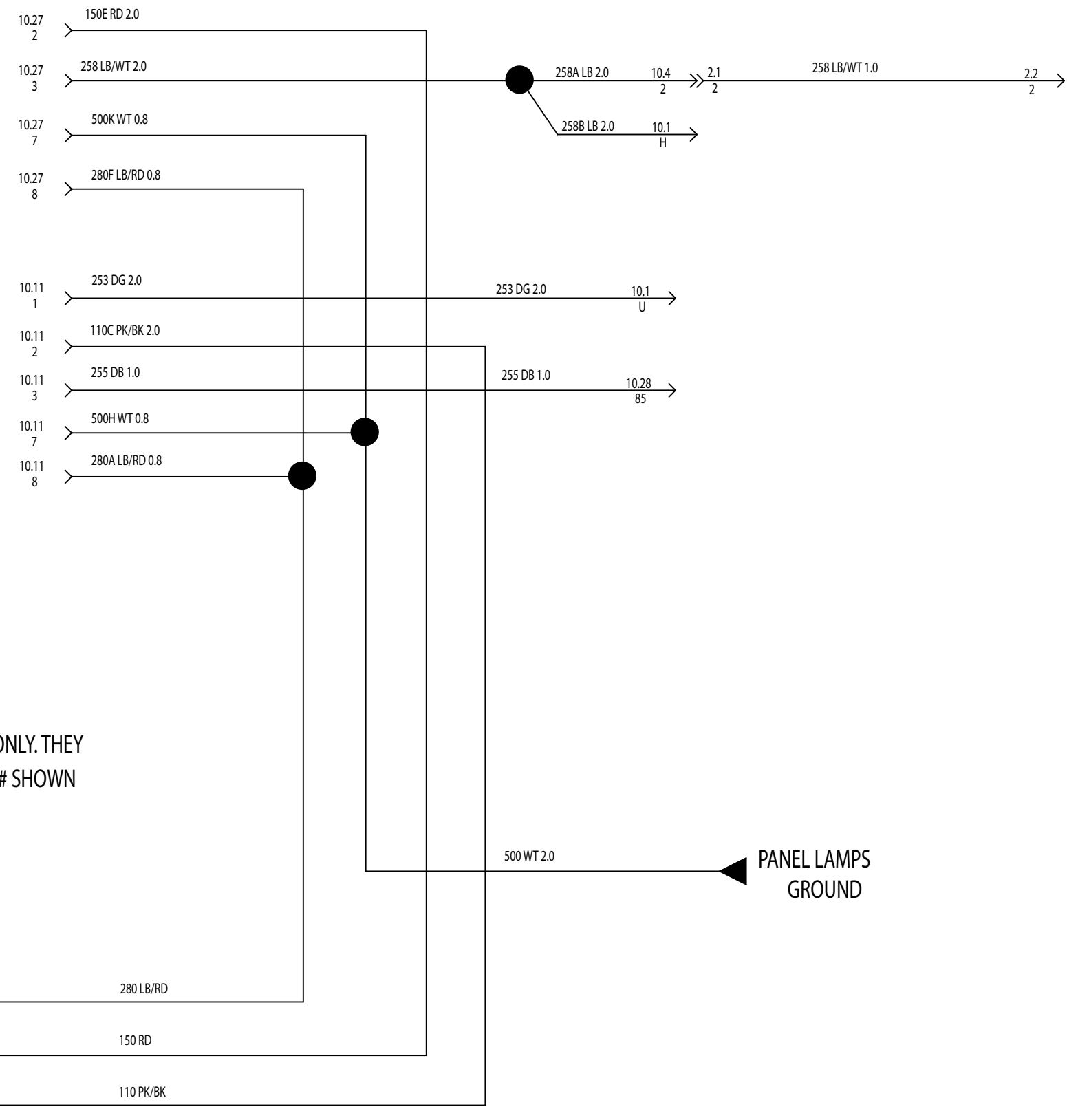
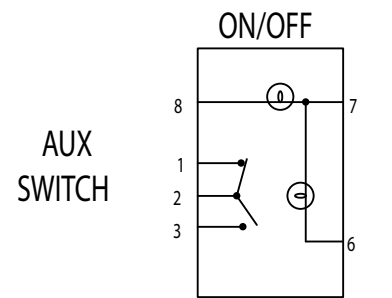
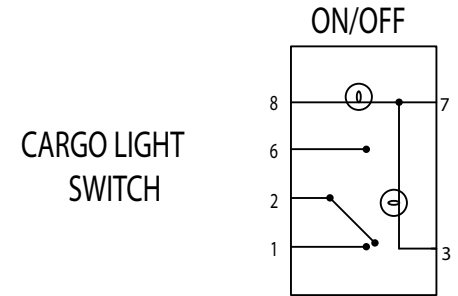
ILLUMINATION POWER DISTRIBUTION
POWER DISTRIBUTION
IGNITION POWER DISTRIBUTION

PANEL LAMPS
GROUND

LEGEND

BATT	HOT AT ALL TIMES
IGN	HOT IN RUN OR START
ACC	HOT IN ACC OR RUN

ENGINEER	---	DRAWN BY	JYD	Spartan Motors USA, Inc. 603 Earthway Blvd Bristol, N 46507		TITLE	SCHEMATIC FORD F59 KINGS	
CHECKED BY	RLC	DATE	02/08/17	CAGE CODE	36MV0	DWG NUMBER	58232647 A	
REV.	REVISIONS			AUTH	DATE	BY	CHECKED BY	APPROVED BY



SWITCHES SHOWN ARE VISUAL FUNCTIONAL REASONS ONLY. THEY ARE NOT NECESSARILY MATCHED TO THE CONNECTOR # SHOWN

ILLUMINATION POWER DISTRIBUTION
 POWER DISTRIBUTION
 IGNITION POWER DISTRIBUTION

PANEL LAMPS GROUND

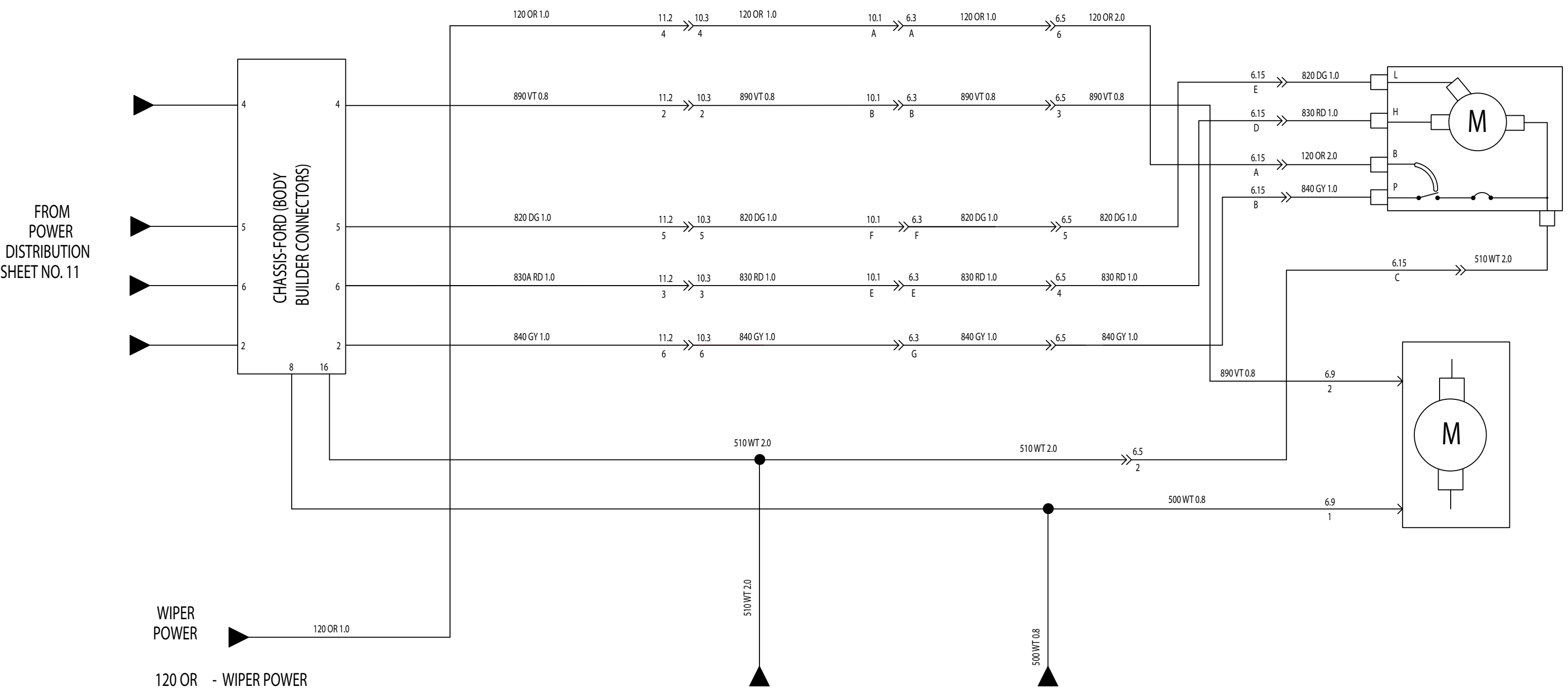
LEGEND

BATT	HOT AT ALL TIMES
IGN	HOT IN RUN OR START
ACC	HOT IN ACC OR RUN

PAGE 3 OF 12	REVISIONS					ENGINEER	DRAWN BY	Spartan Motors USA, Inc. 603 Earthway Blvd Bristol, N 46507		TITLE	
	A RELEASE FOR PRODUCTION					515140	RLC	JYD	SCHEMATIC FORD F59 KINGS		
REV.	AUTH					DATE	BY	CHECKED BY	DATE	CAGE CODE	DWG NUMBER
								RLC	02/08/17	36MV0	58232647

THE INFORMATION CONTAINED IN THIS DRAWING IS THE SOLE PROPERTY OF SPARTAN MOTORS USA, INC. ANY REPRODUCTION IN PART OR AS A WHOLE WITHOUT THE WRITTEN PERMISSION OF SPARTAN MOTORS IS PROHIBITED. DOCUMENT IS ELECTRONICALLY CONTROLLED. VERIFY REV PRIOR TO USE.

WIPER SYSTEM



FROM POWER DISTRIBUTION SHEET NO. 11

CHASSIS-FORD (BODY BUILDER CONNECTORS)

- 120 OR - WIPER POWER
- 510 WT - WIPER MOTOR GROUND
- 820 DG - LOW SPEED
- 840 GY - PARK
- 830 RD - HIGH SPEED
- 890A VT - WASHER PUMP

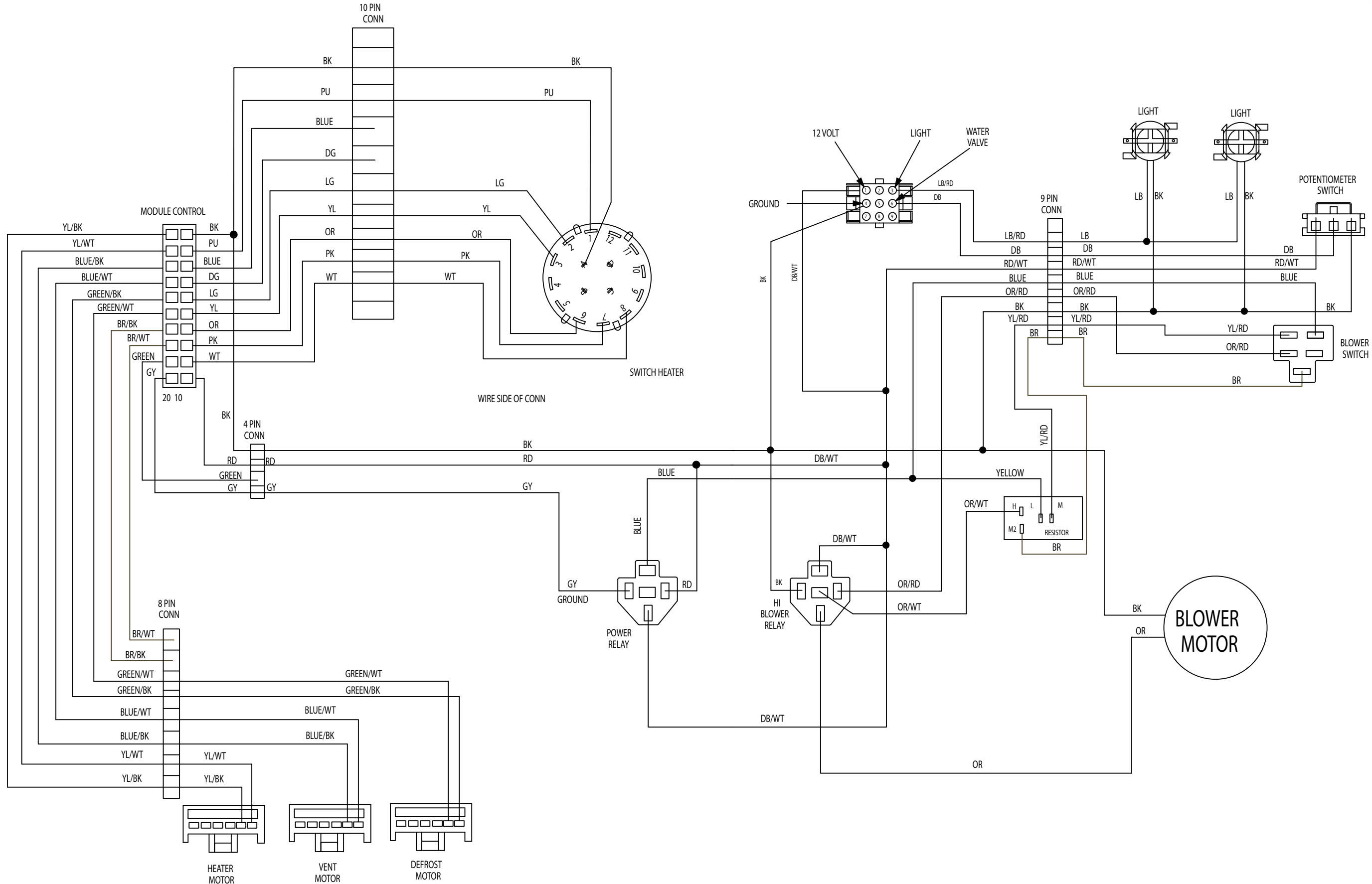
WIPER MOTOR GROUND

WASHER GROUND

LEGEND	
[Symbol]	BATT HOT AT ALL TIMES
[Symbol]	IGN HOT IN RUN OR START
[Symbol]	ACC HOT IN ACC OR RUN

ENGINEER	---	DRAWN BY	JYD	Spartan Motors USA, Inc. 603 Earthway Blvd Bristol, N 46507	TITLE	SCHEMATIC FORD F59 KINGS	
CHECKED BY	RLC	DATE	02/08/17	CAGE CODE	36MV0	DWG NUMBER	58232647
REV.	REVISIONS	AUTH	DATE	BY	CHECKED BY	APPROVED BY	

PAGE 4 OF 12



LEGEND

	HOT AT ALL TIMES
	HOT IN RUN OR START
	HOT IN ACC OR RUN

PAGE 5 OF 12

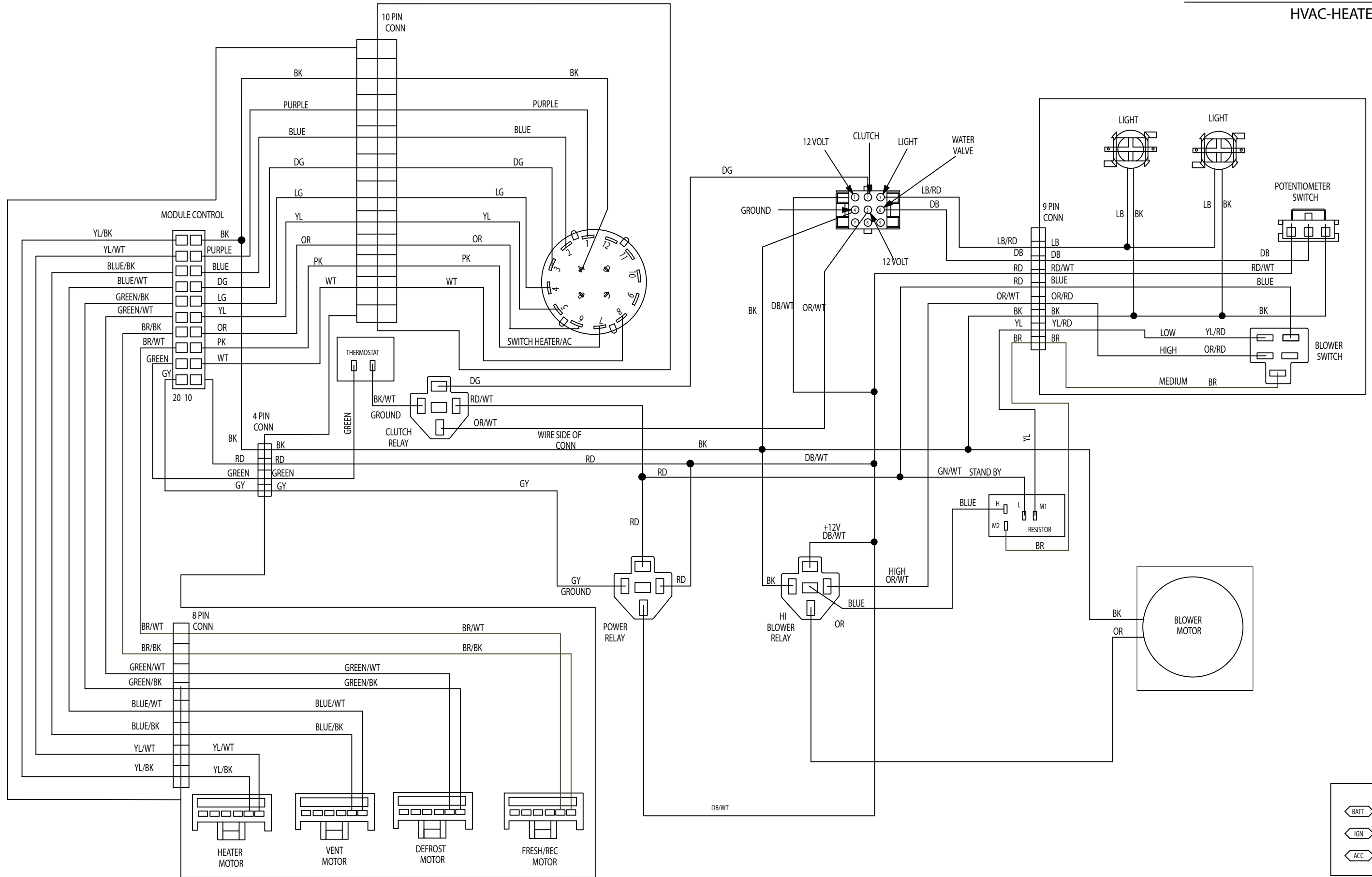
RELEASE FOR PRODUCTION	
REVISIONS	

515140					
AUTH	DATE	BY	CHECKED BY	APPROVED BY	

ENGINEER	DRAWN BY
	JYD
CHECKED BY	DATE
RLC	02/08/17

Spartan Motors USA, Inc. 603 Earthway Blvd Bristol, N 46507	
CAGE CODE	DWG NUMBER
36MV0	58232647

SCHMATIC	
FORD F59 KINGS	
58232647	



LEGEND

(BATT)	HOT AT ALL TIMES
(IGN)	HOT IN RUN OR START
(ACC)	HOT IN ACC OR RUN

A		RELEASE FOR PRODUCTION	
REV.	REVISIONS	515140	AUTH

DATE	BY	CHECKED BY	APPROVED BY
		RLC	RLC

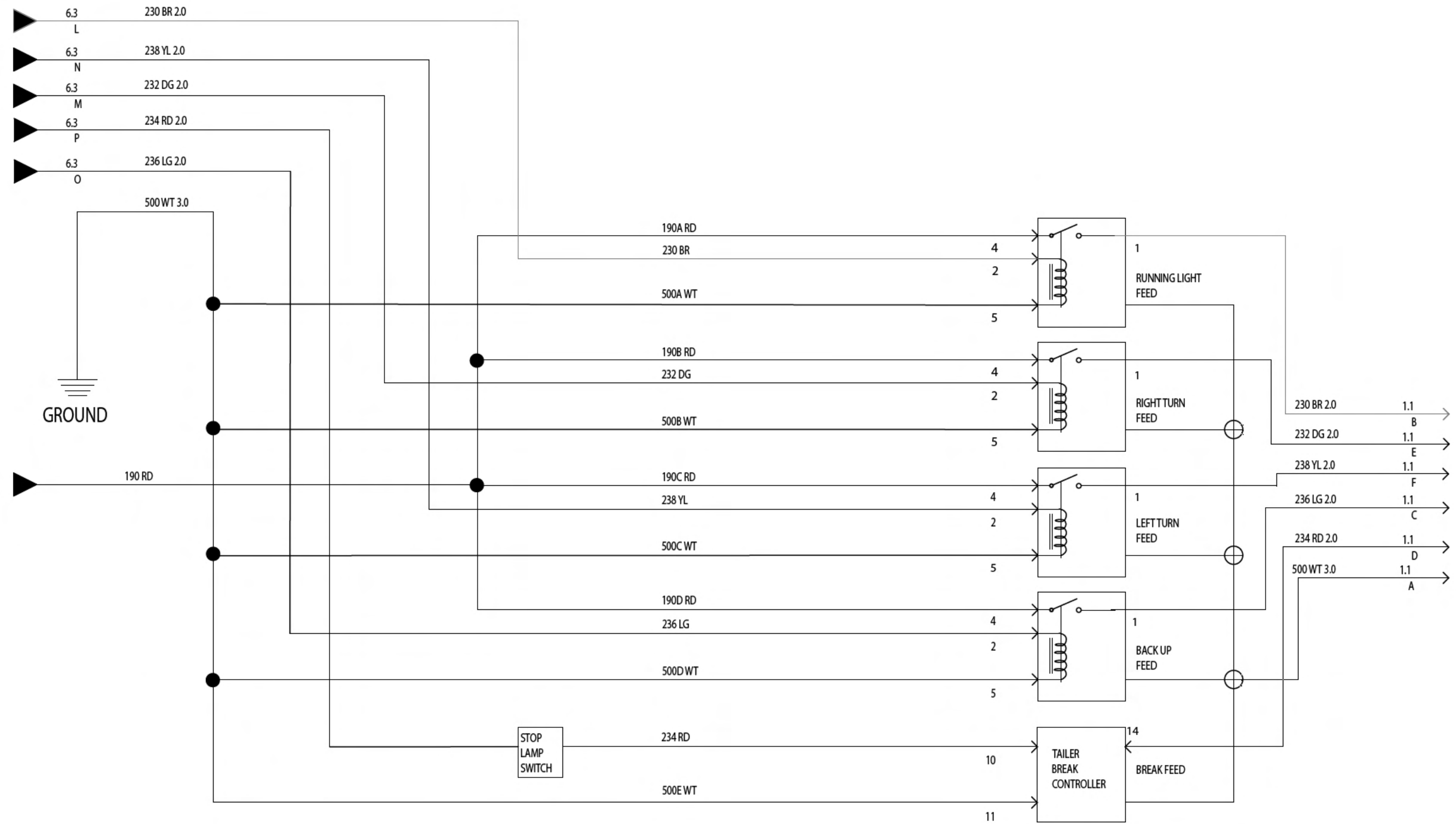
ENGINEER	DRAWN BY
	JYD
CHECKED BY	DATE
RLC	02/08/17

Spartan Motors USA, Inc. 603 Earthway Blvd Bristol, N 46507		CAGE CODE	DWG NUMBER
		36MV0	58232647

TITLE		SHEMATIC	
		FORD F59 KINGS	
		58232647	

REAR LIGHT WIRING-STANDARD

FROM
POWER DISTRIBUTION
SHEET NO. 11



TO
REAR LIGHT WIRING
SHEET NO. 21

LEGEND

BATT	HOT AT ALL TIMES
IGN	HOT IN RUN OR START
ACC	HOT IN ACC OR RUN

PAGE 8 OF 12

515140

RELEASE FOR PRODUCTION

REVISIONS

515140							
AUTH	DATE	BY	CHECKED BY	APPROVED BY			

ENGINEER

--- JYD

CHECKED BY

RLC

DATE

02/08/17

Spartan Motors USA, Inc.
603 Earthway Blvd
Bristol, N 46507

CAGE CODE

36MV0

TITLE

SCHEMATIC

FORD F59 KINGS

DWG NUMBER

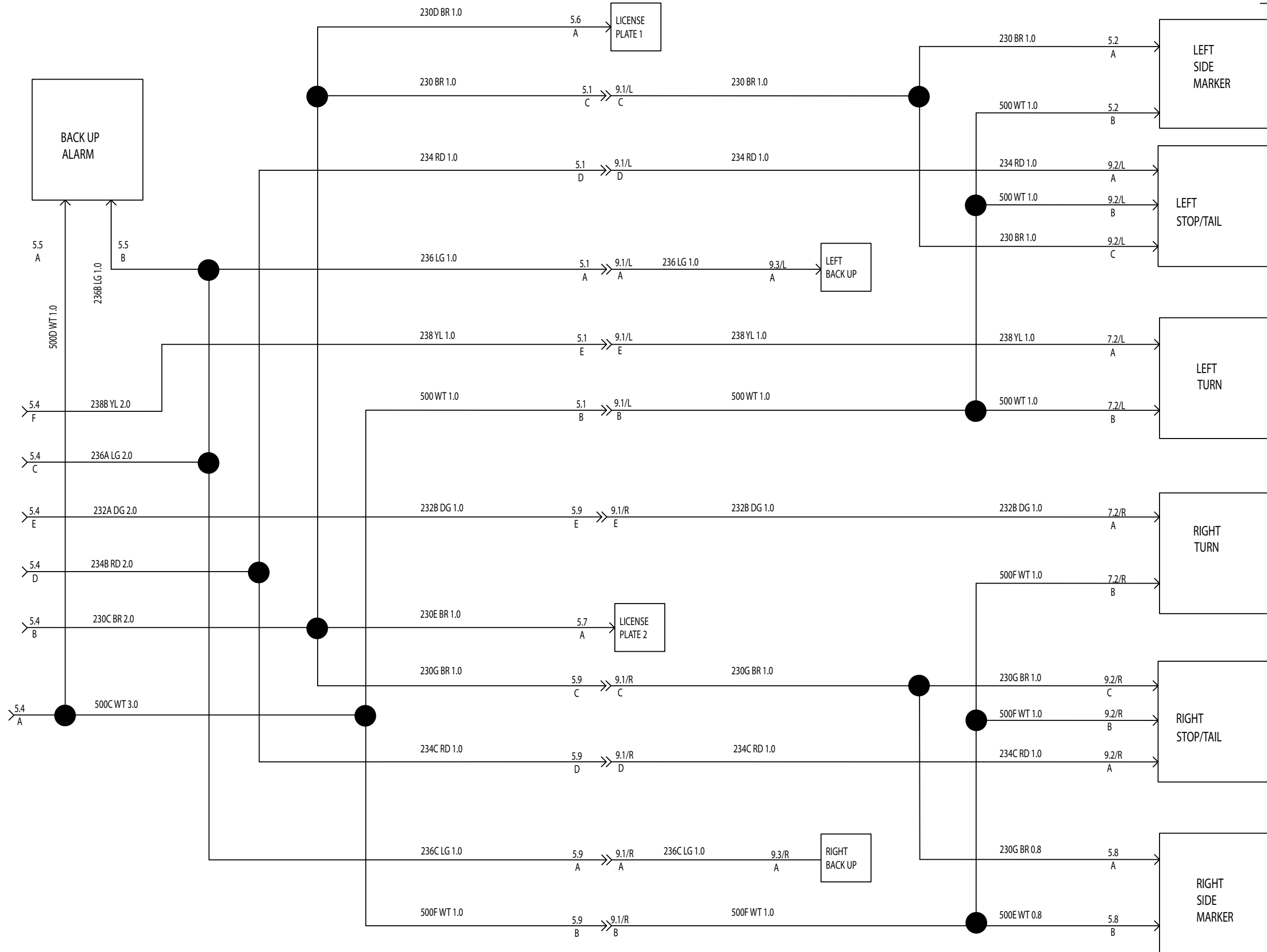
58232647

A

THE INFORMATION CONTAINED IN THIS DRAWING IS THE SOLE PROPERTY OF SPARTAN MOTORS USA, INC. ANY REPRODUCTION OR USE OF THIS DRAWING IN WHOLE OR IN PART WITHOUT THE WRITTEN PERMISSION OF SPARTAN MOTORS USA, INC. IS PROHIBITED.

DOCUMENT IS ELECTRONICALLY CONTROLLED. VERIFY REV PRIOR TO USE.

REAR LIGHT WIRING-STANDARD



LEGEND

BATT	HOT AT ALL TIMES
IGN	HOT IN RUN OR START
ACC	HOT IN ACC OR RUN

FROM REAR LIGHT WIRING SHEET NO. 20

PAGE 0 OF 12	A	RELEASE FOR PRODUCTION	515140	DATE	BY	CHECKED BY	APPROVED BY	ENGINEER	DRAWN BY	Spartan Motors USA, Inc. 603 Earthway Blvd Bristol, N 46507	TITLE
								RLC	JYD		SCHEMATIC
REV.		REVISIONS	AUTH	DATE	BY	CHECKED BY	APPROVED BY	CHECKED BY	DATE	CAGE CODE	DWG. NUMBER
								RLC	02/08/17	36MV0	58232647

THE INFORMATION CONTAINED IN THIS DRAWING IS THE SOLE PROPERTY OF SPARTAN MOTORS USA, INC. ANY REPRODUCTION IN PART OR AS A WHOLE WITHOUT THE WRITTEN PERMISSION OF SPARTAN MOTORS IS PROHIBITED. DOCUMENT IS ELECTRONICALLY CONTROLLED. VERIFY REV PRIOR TO USE.

CLEARANCE LIGHT SYSTEM

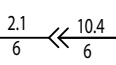
TO
FRONT CLEARANCE LIGHT
SHEET NO. 23



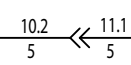
231B BR/WT 1.0



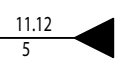
231 BR/WT 2.0



231 BR/WT 2.0



231 BR/WT 0.8



CLEARANCE LIGHTS
11.12 PIGTAIL BLUNT CUT
WIRE

TO
REAR CLEARANCE LIGHT
SHEET NO. 24



231A BR/WT 2.0

LEGEND

	HOT AT ALL TIMES
	HOT IN RUN OR START
	HOT IN ACC OR RUN

PAGE 10 OF 12	REVISIONS	515140					ENGINEER ---	DRAWN BY JYD	Spartan Motors USA, Inc. 603 Earthway Blvd Bristol, N 46507	TITLE SCHEMATIC FORD F59 KINGS
	A	RELEASE FOR PRODUCTION					CHECKED BY RLC	DATE 02/08/17	THE INFORMATION CONTAINED IN THIS DRAWING IS THE SOLE PROPERTY OF SPARTAN MOTORS USA, INC. ANY REPRODUCTION IN PART OR AS A WHOLE WITHOUT THE WRITTEN PERMISSION OF SPARTAN MOTORS IS PROHIBITED.	CAGE CODE 36MV0
REV.		AUTH	DATE	BY	CHECKED BY	APPROVED BY			DOCUMENT IS ELECTRONICALLY CONTROLLED. VERIFY REV PRIOR TO USE.	

HARNESS LAYOUT

16516613 IS USED LEFT

8

14

15

16

16517256-REV B HVAC HARNESS
16517256-REV A MAIN

10

19

3

6

8

16516613 IS USED FOR RIGHT

4

PAGE 2 OF 3

RELEASE FOR PRODUCTION

515140

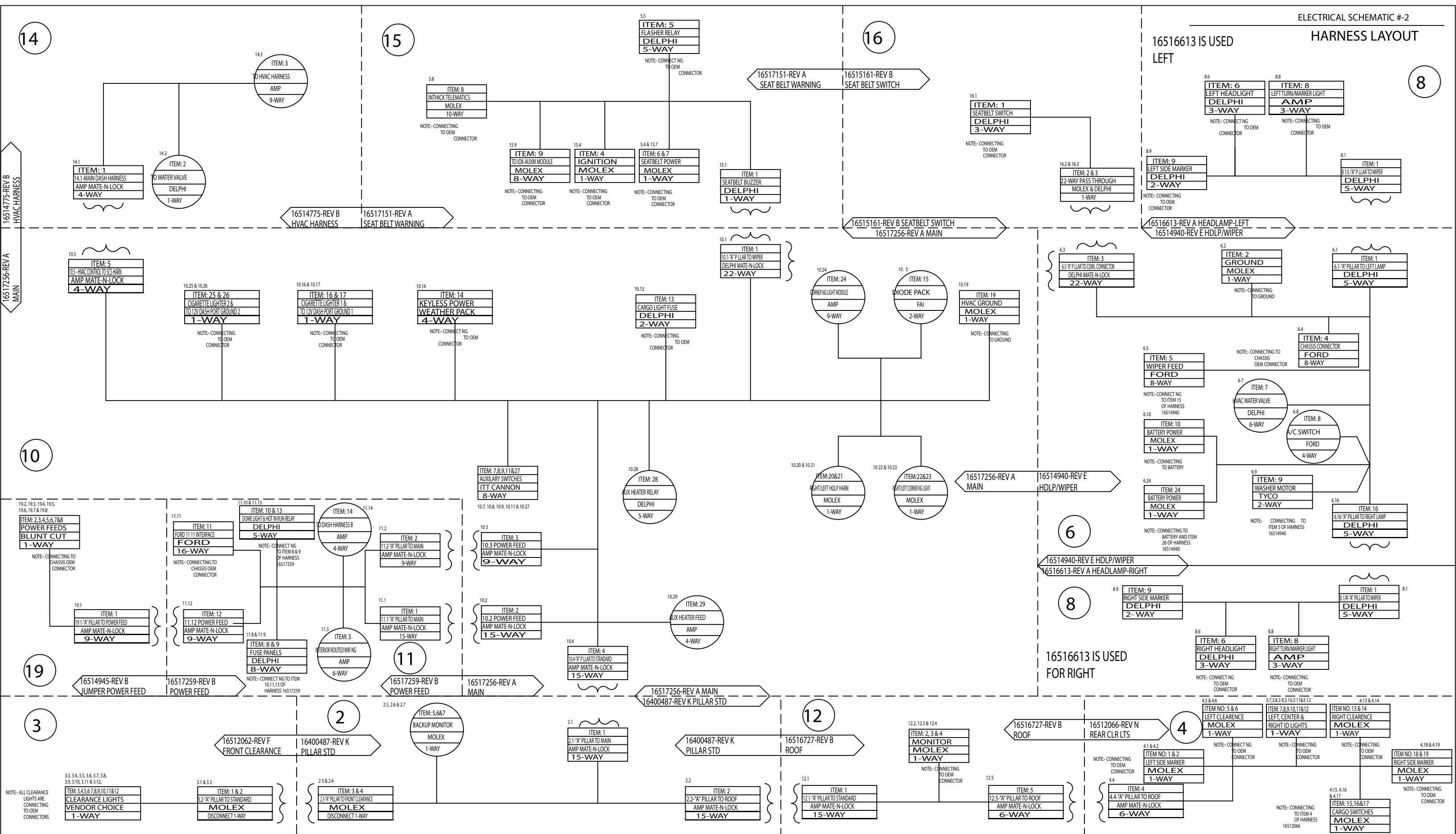
AUTH DATE BY CHECKED BY APPROVED BY

ENGINEER JYD
DRAWN BY JYD
CHECKED BY RLC
DATE 02/08/17

NOTE: CONN. C. REL. TO OEM CONNECTOR
Spartan Motors USA, Inc.
603 Earthway Blvd
Bristol, N 46507

CAGE CODE 36MV0
DWG NUMBER 58232647

TITLE HARNESS LAYOUT
FORD F59 KINGS
REV. REVISIONS



NOTE: ALL CLEARANCE LIGHTS ARE CONNECTING TO OEM CONNECTORS

33, 34, 35, 36, 37, 38, 39, 310, 311 & 312

ITEM: 34, 35, 67, 89, 101, 118 & 12
CLEARANCE LIGHTS
VENDOR CHOICE
1-WAY

ITEM: 1 & 2
3.2"-X" PILLAR TO STANDARD
MOLEX
DISCONNECT 1-WAY

ITEM: 3 & 4
2.3"-X" PILLAR TO FRONT CLEARANCE
MOLEX
DISCONNECT 1-WAY

ITEM: 5, 6 & 7
BACKUP MONITOR
MOLEX
1-WAY

ITEM: 1
2.1"-X" PILLAR TO MAIN
AMP MATE-N-LOCK
15-WAY

ITEM: 2
2.2"-X" PILLAR TO ROOF
AMP MATE-N-LOCK
15-WAY

ITEM: 1
12.1"-X" PILLAR TO STANDARD
AMP MATE-N-LOCK
15-WAY

ITEM: 2, 3 & 4
MONITOR
MOLEX
1-WAY

ITEM: 5
12.5"-X" PILLAR TO ROOF
AMP MATE-N-LOCK
6-WAY

ITEM: 1 & 2
LEFT SIDE MARKER
MOLEX
1-WAY

ITEM: 4
4.4"-X" PILLAR TO ROOF
AMP MATE-N-LOCK
6-WAY

ITEM: 15, 16 & 17
CARGO SWITCHES
MOLEX
1-WAY

ITEM: 18 & 19
RIGHT SIDE MARKER
MOLEX
1-WAY

NOTE: CONNECTING TO OEM CONNECTOR

